

APPLICATIONS

Introducing our LED industrial high bay fixtures styled to match conventional HID high bays. These fixtures not only provide great glare free, wide area lighting, but also provides a stylish and modern industrial look.

FEATURES & BENEFITS

- ◆ CREE XML12 LEDs
- ◆ Silver Housing
- ◆ Multivolt 120V-277V (50/60Hz)
- ◆ Max. operating temp: 40°C (104°F)
- ◆ 50,000 hrs
- ◆ cUL Listed
- ◆ 5 year warranty
- ◆ Weighs less than 14 lbs.

SPECIFICATIONS

High purity aluminum alloy housing for reduced weight. Excellent thermal conductivity and fast cooling. Very low lumen depreciation and high light purity with a choice of 45 degree beam angle or a 90 degree beam angle.



ORDERING DATA

EXAMPLE: MLHBLED60MV50C

MLHB	LED	Wattage & Lumens		MV	50	Reflector Type
Series	Gear			Driver Type	Color Temperature	
MLHB	LED	60	60 watts 4650 Lumens	MV	50	C Cone (90°)
		100	100 watts 9950 Lumens	120-277V	5000K	D Dome (45°)
		150	150 watts 13500 Lumens			CLD Clear Dome
		200	200 watts 19300 Lumens			FRD Frosted Dome
						ALD Faux Alabaste Dome

*See chart below for whip & cord ordering options

*Cord & Whip Ordering Chart (Add to End of Fixture Part Number)						
Part No.	# of Wires	Length	End Fitting	Finish	Voltage	Amps (TL Only)
WP - Whip	(Blank) 3 Wire	(Blank) 6 feet	(Blank) No Plug	BK - Black	(Blank) 120-277V	15 - 15 Amps
CS - Cordset	4 - 4 Wire	8 - 8 feet	P* - Standard Plug	WH - White	120 - 120V	20 - 20 Amps
	5 - 5 Wire	10 - 10 feet	TL* - Twist Lock		277 - 277V	
	6 - 6 Wire	12 - 12 feet			347 - 347V	
		15 - 15 feet			480 - 480V	

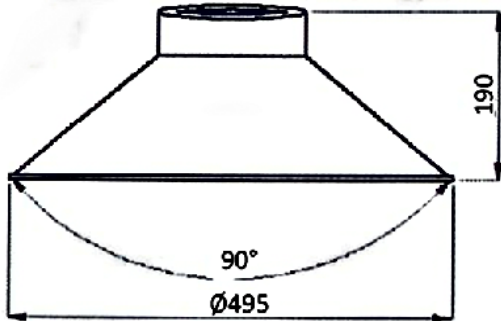
Dimensions and specifications subject to change without notice.



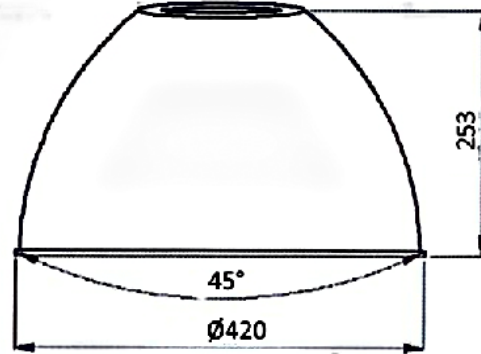
◆ 800-444-WATT ◆ www.mobern.com ◆
8200 Stayton Dr., Ste. 500, Jessup, MD 20794

CAT#	
JOB NAME	TYPE

ALUMINUM REFLECTOR



Reflector Cone



Reflector Dome

ACRYLIC REFLECTORS



Clear Dome (CL)



Frosted Dome (FR)



Faux Alabaster Dome (AL)

GENERAL DESCRIPTION

The acrylic reflectors are a remote optic intended for use with POD style LED highbays and induction sources. Unlike traditional reflectors, it is shallow so as to allow high beam angles. Its large flat top allows it to be easily adapted to most any fixture without the need for expensive collars. The lower flange mimics traditional reflectors allowing for a wide range of bottom lenses and standard clamp bands.

- ◆ Standard clear acrylic version is cost effective and provides a traditional yet low profile appearance
- ◆ Interface® version yields high down light efficiency and a gentle glow for maximum brightness control
- ◆ Accommodates standard 16" diameter lenses including the Drop Lens, Conical Drop lens and flat lenses. Bottom lenses are primarily for lowbay applications where brightness control is paramount. Bottom lenses also enhance uplight.

DIMENSIONS

9"H x 16"Diameter

ACCESSORIES/OPTIONS

- A-MLHB816CDL:** Conical Drop Lens
- A-MLHB816SFL:** Smooth Flat Lens
- A-MLHB816CB:** Clamp Band
- A-MLHB816WG:** Wire Guard
- A-MLHB816TDL:** Tapered Drop Lens

Dimensions and specifications subject to change without notice.



◆ 800-444-WATT ◆ www.mobern.com ◆
8200 Stayton Dr., Ste. 500, Jessup, MD 20794

CAT#	
JOB NAME	TYPE