

APPLICATIONS

The Mobern MLEDRT6 is a six-inch LED recessed downlight kit creating high performing white light and is optimized for new construction and retrofit applications. This downlight is an ideal choice for healthcare, hospitality, office, property management, residential and retail environments.

FEATURES & BENEFITS

- ◆ Lumen package:
 - 700 lumens @ 10 watts
 - 900 lumens @ 13 watts
- ◆ Replacement for up to 100W incandescent lamps
- ◆ Fits into most 6" recessed downlight fixtures
- ◆ CCT: 2700K/3000K
- ◆ CRI: up to 84
- ◆ Dimmable down to 10%
- ◆ 50,000 hour life (L70)
- ◆ Suitable for indoor dry and damp locations
- ◆ Reduces energy consumption up to 87%
- ◆ 120V input voltage
- ◆ Lasts up to 25 times longer than incandescent lamps
- ◆ No warm-up time, instant-on with full light output and stable lamp to lamp color
- ◆ Meets California Title 24 fixture requirements for high efficacy luminaire
- ◆ Integrated white trim, white baffle reflector and medium base socket adapter (included) for direct replacement
- ◆ Adjustable Gimbal feature (35° tilt)



The Mobern MLEDRT6 is a six-inch LED recessed downlight kit creating high performing white light and is optimized for new construction and retrofit applications. Installation is done quickly and easily in most standard six-inch Insulated Ceiling (IC) housings, Airtight (AT) housings and non-IC housings. The adjustable gimbal features a smooth travel from nadir to a 35° tilt, making it suitable for slanted ceilings and wall wash. The gimbal's friction blade design allows the downlight to be installed in any position within the housing aperture (360°).

Dimming

The Mobern MLEDRT Series downlight kit is dimmable to 10% with standard 120V electronic low voltage dimmers (recommended), incandescent or magnetic low voltage dimmers. In some cases, standard incandescent dimmers require a minimum load of typically >40 watts on the circuit for full range dimming performance (four LED modules). For dimming with digital (smart) multi-location dimmers or when dimming fewer than four LED modules, electronic low-voltage (ELV) dimmers are required (some ELV dimmers need a neutral connection in the wallbox).

Quality of Light

The Mobern MLEDRT Series provides excellent color rendering (82+ CRI), and a selection of color temperatures (2700K, 3000K). LEDs have virtually no UV or infrared radiation to damage or fade furnishings, art or other objects.

Optical Design

Optical design efficiently directs light output in an 80° beam angle with low glare.

Accessories

Assorted color retrofit trims, GU24 socket adapter, push wire adapter, retrofit band.

ORDERING DATA

EXAMPLE: MLEDRT67027WFL

MLEDRT	6					WFL
Series	Housing	Gimbal	Lumens	Kelvin Temperature	Reflector	Accessories
MLEDRT LED Recessed Downlight	6 6" Housing	G Gimbal Ring	70 700 90 900	27 2700K 30 3000K	WFL White	See Accessories Page

Dimensions and specifications subject to change without notice.

CAT#	
JOB NAME	TYPE

TECHNICAL INFORMATION

Model Number	Recessed Housing	Replaced Incandescent Wattage	Nominal Wattage (W)	Delivered Light Output (lm)	Color Temperature	CRI	Avg. Rated Life (hrs)*
MLEDRT6727K	6in.	65W	10	700	2700K	83	50,000
MLEDRT6730K	6in.	65W	10	700	3000K	84	50,000
MLEDRT6927K	6in.	100W	13	900	2700K	82	50,000
MLEDRT6930K	6in.	100W	13	900	3000K	84	50,000
MLEDRT69G27KWRFLWTR	6in.	100W	13	900	2700K	84	50,000
MLEDRT69G30KWRFLWTR	6in.	100W	13	900	3000K	84	50,000

*LED Lamp life is defined as the number of hours when 50% of an average group of identical lamps reached 70% of its initial lumens.

SPECIFICATIONS

Energy Data

- ◆ **Minimum Starting Temp:** -4°F (-20°C)
- ◆ **EMI/RFI:** FCC Title 47 CFR, Part 15, Class B
- ◆ **Sound Rating:** <24dBA
- ◆ **Input Voltage:** 120V
- ◆ **Power Factor:** >0.90
- ◆ **Input Frequency:** 60Hz
- ◆ **THD:** <20%

- ◆ **Input Power:** 10W & 13W
- ◆ **Input Current:** 0.08A & 0.1A
- ◆ **Maximum Ambient Operating Temperature for Gimbal (Insulated Ceiling or Non-Insulated Ceiling):** 95°F (35°C)
- ◆ **Maximum Ambient Operating Temperature for non-Gimbal (Insulated Ceiling or Non-Insulated Ceiling):** 104°F (40°C)

Lighting Data

- ◆ **Lumen Output:** 700 & 900
- ◆ **Lumens per Watt:** 70 for 700lm & 69 for 900lm

Color

- ◆ **Correlated Color Temperature (CCT):** 2700K & 3000K
- ◆ **Color Rendering Index (CRI):** Up to 84
- ◆ **R9:** 15

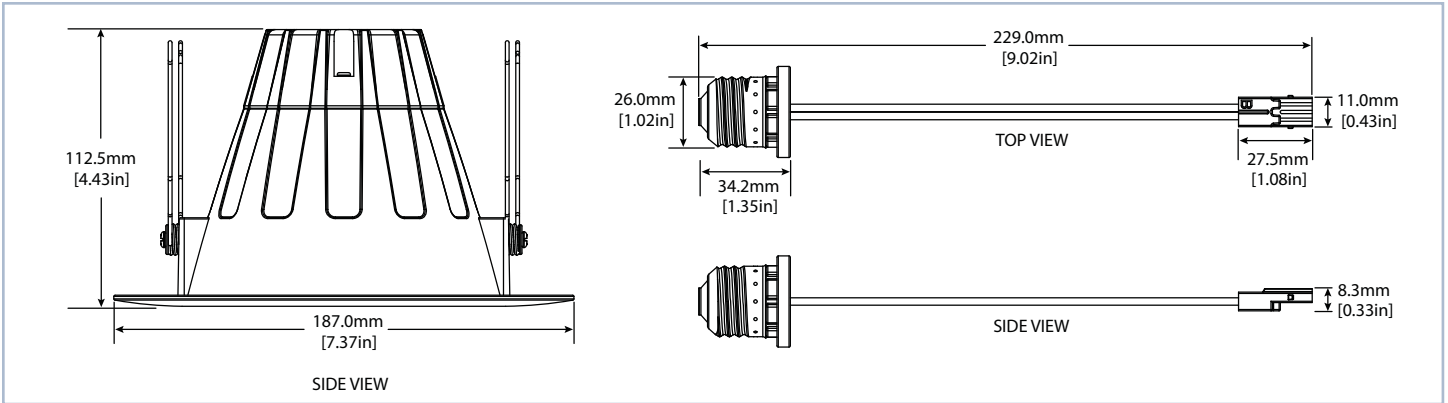
ENERGY SAVINGS

Basic Product Description	Lumens	Life	Traditional Lamp Types		Watts Saved With MLEDRT6	MLEDRT6 Energy Savings*	MLEDRT6 Life Benefit	
MLEDRT6 10W	700	50,000	Incandescent 65BR30	640	2000	55	\$302	25X
			Halogen 50WBR30/SS/HAL	585	2500	40	\$220	20X
			Halogen 50WPAR30LN/WFL	660	2500	40	\$220	20X
			Compact Fluorescent 15WBR30	600	8000	5	\$27	6X
MLEDRT6 13W	900	50,000	Incandescent 100BR40	935	2000	87	\$478	25X
			Halogen 80WBR40/SS/HAL	1080	2000	67	\$368	25X
			Halogen 75WPAR38/WFL	1060	2500	62	\$341	20X
			Compact Fluorescent 20WBR40	900	8000	7	\$38	6X

*Based on \$0.11/kWh over 50,000 hours life.

Dimensions and specifications subject to change without notice.

DIMENSIONS



ACCESSORIES

GU24 Socket Adaptor
 MLED/ADAPTOR/GU24 (for non-Gimbal, sold separately)
 MLED/CRT6/GU24/SOCKET/ADAPTOR (for Gimbal, sold separately)

Push Wire Adaptor
 MLED/ADAPTOR/PUSHWIRE (for non-Gimbal, sold separately)
 MLED/CRT6/RETROFIT/ADAPTOR (for Gimbal, sold separately)

Retrofit Band (For 6" housing models Progress Lighting P87-AT and Lightolier 1104IC)
 MLEDRT6/RETROFITBAND (sold separately)

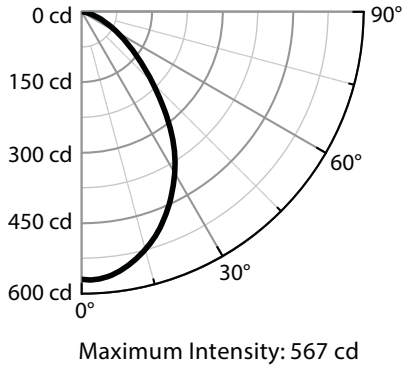
Retrofit Trim (For non-Gimbal only, can not be used with Gimbal)

MLEDRT6/TRIM/BLK	One Tone: Black Trim & Black Reflector
MLEDRT6/TRIM/ORBZ	One Tone: Bronze Trim & Bronze Reflector
MLEDRT6/TRIM/SN	One Tone: Satin Nickel Trim & Satin Nickel Reflector
MLEDRT6/TRIM/BLKBAFFLE	Two Tone: White Trim & Black Baffle Reflector
MLEDRT6/TRIM/WHTBAFFLE	Two Tone: White Trim & White Baffle Reflector
MLEDRT6/TRIM/ALZAK	Two Tone: White Trim & Alzak Reflector

Dimensions and specifications subject to change without notice.

PHOTOMETRICS

Polar Chart



Illuminance at Distance

	Illuminance		Beam Diameter	
	Edge	Center	V	H
2 ft	35.0 fc	141.8 fc	3.1 ft	3.1 ft
4 ft	8.8 fc	35.4 fc	6.2 ft	6.1 ft
6 ft	3.9 fc	15.8 fc	9.3 ft	9.2 ft
8 ft	2.2 fc	8.9 fc	12.4 ft	12.3 ft
10 ft	1.4 fc	5.7 fc	15.5 ft	15.4 ft
12 ft	1.0 fc	3.9 fc	18.6 ft	18.4 ft

Vert. Spread: 75.5°

Horiz. Spread: 75.1°

Zonal Lumen Distribution

Zone	Lumens	% Fixture
0-30	393.6	43.2
0-40	589.4	64.7
0-60	828.9	91.0
60-90	81.7	9.0
0-90	910.6	100.0
90-180	0.0	0.0
0-180	910.6	100.0

Spacing to Mounting Height Ratio

Spacing Criteria (0-180°)	1.02
Spacing Criteria (90-270°)	1.04
Spacing Criteria (Diagonal)	1.10

Note: Photometric data for MLEDRT6 900 lumen version.

Application Notes

1. Operating temperature range between -4°F and 104°F (-20°C and 40°C).
2. Suitable for indoor and outdoor dry, damp and wet locations.
3. Suitable for dimmers or in housings controlled by a dimmer. For a list of compatible dimmers, please refer to www.mobern.com.
4. Not intended for use with emergency light fixtures or exit lights.
5. For use in housings that can structurally support a lamp weighing one pound.
6. Designed to install in standard 4" insulated and non-insulated housings. For a list of compatible housings, please refer to www.mobern.com.
7. For detailed warranty information, please refer to www.mobern.com.

WARRANTY

Mobern Lighting Company warrants to the purchaser that this LED Fixture will be free from defects in material or workmanship for a period of 5 years from date of manufacture, when operated at a maximum ambient temperature of 104°F or 40°C, when properly installed and under normal conditions of use.



Dimensions and specifications subject to change without notice.

CAT#	
JOB NAME	TYPE