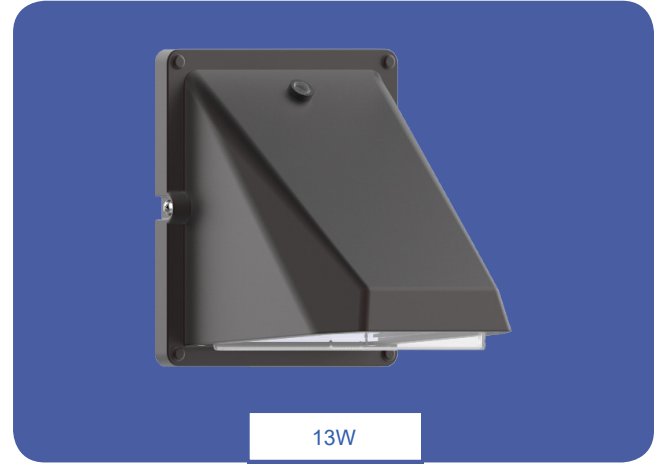


APPLICATIONS

The MISMCOWPK LED Architectural wall pack is a beautifully designed wall light that is suitable for indoor and outdoor use. The design is innovative and stylish. This LED wall pack is suitable for condos, apartments, hospitality, walkways and commercial buildings.

FEATURES & BENEFITS

- ◆ Mercury and UV free with RoHS certified LEDs
- ◆ Corrosion resistant die-cast all aluminum construction
- ◆ Corrosion resistant hardware
- ◆ Superior powder coat bronze finish
- ◆ High-impact Polycarbonate Lens
- ◆ Weatherproof and durable silicone rubber gaskets, prevent water and bugs
- ◆ IP66, dust and waterjet tight
- ◆ UL and cUL listed for wet locations
- ◆ DLC Listed



13W

Replaces
Up to 35HPS

ORDERING DATA

EXAMPLE: MISMCOWPKLED13120/24050PC

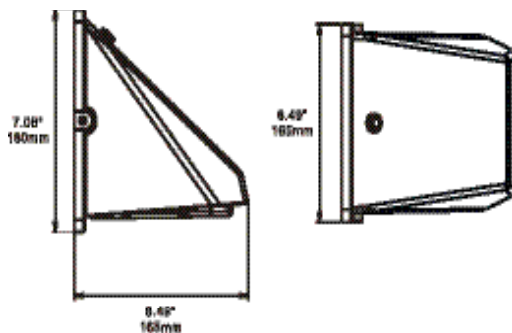
MISMCOWPK	LED	13	120/240	50	
Series	Gear	Wattage	Ballast Type	Kelvin Temperature	Accessories
MISMCOWPK LED Wall Pack	LED	13 13 Watts	120/240 120/240V	50 5000K	PC Photocell - 120V Only

TECHNICAL INFORMATION

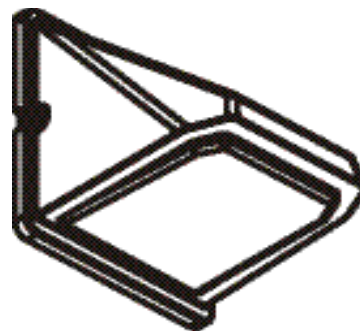
Model	Input Watts	Initial Lumens (lm)	CRI	Color Temp (K)	Efficacy (lm/W)	Life Rating	Operating Temperature
MISMCOWPK	13W	850	72	5000	65.38	60,000	-40°c (-40°f) to +40°c (105°f)

* Data per Im79/Im80/tm21 available upon request

DIMENSIONS

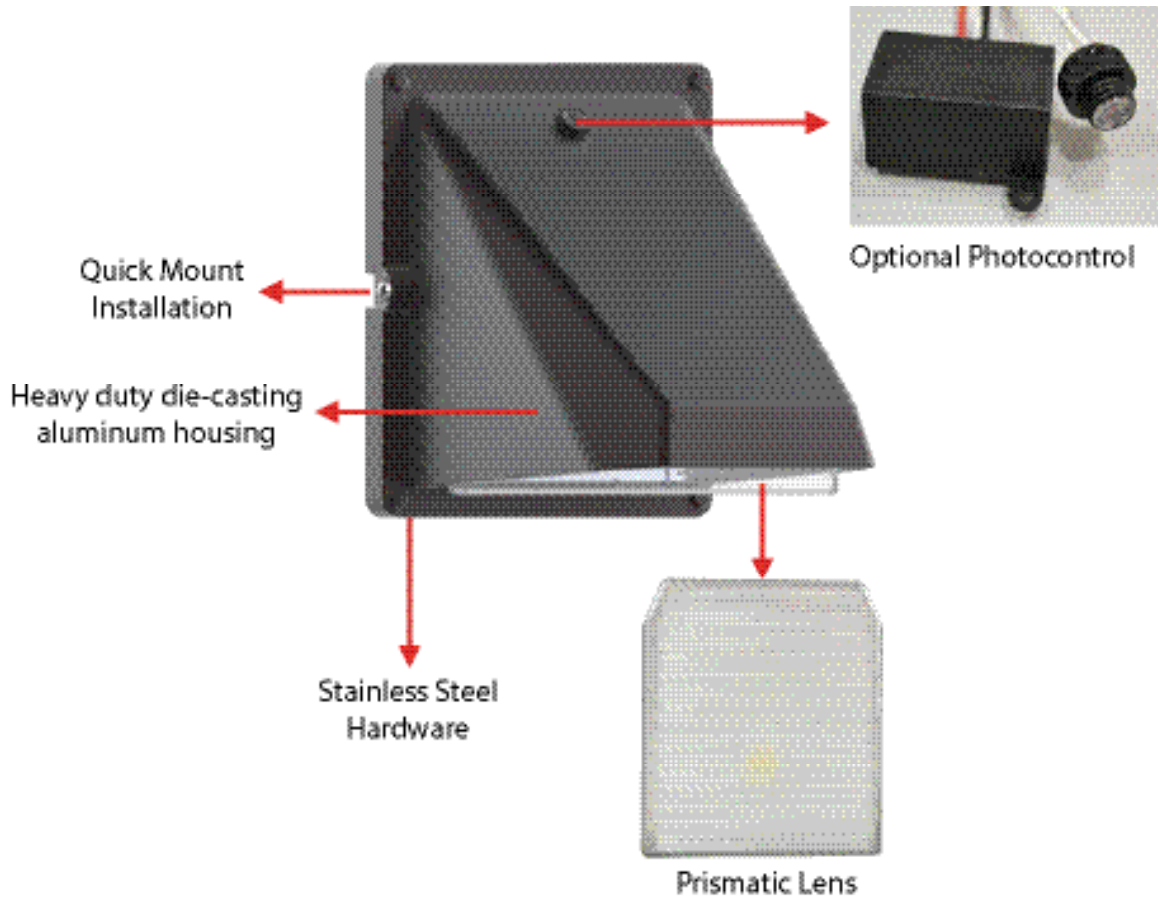


LINE ART



Dimensions and specifications subject to change without notice.

SPECIFICATION



Dimensions and specifications subject to change without notice.



◆ 800-444-WATT ◆ www.mobern.com ◆

8200 Stayton Dr., Ste. 500, Jessup, MD 20794

CAT#			
JOB NAME		TYPE	