

APPLICATIONS

The **MIMDWPKSR LED** Wall Pack is ideal for security, accent and perimeter lighting. Applications include entrance ways, garages, and commercial buildings. Housing is die-cast aluminum body with a standard bronze finish.

FEATURES & BENEFITS

- ◆ Heavy Duty Die Cast Aluminum Housing
- ◆ Min CRI 70
- ◆ Ambient operating temperature -40°C to 40°C (-40°F to 104°F)
- ◆ Bronze powder-coat finish
- ◆ Optional photocell and motion sensor
- ◆ Supports emergency battery
- ◆ Polycarbonate optical lens with UV stabilizers
- ◆ cUL_{us} listed for wet locations



ORDERING DATA

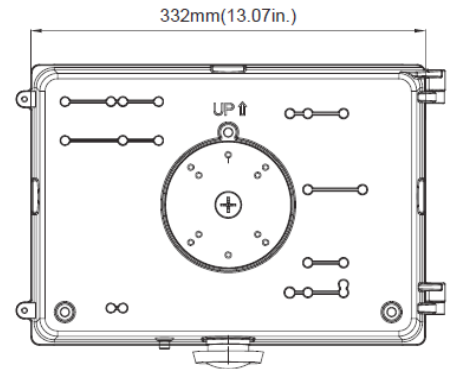
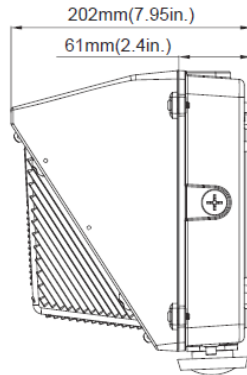
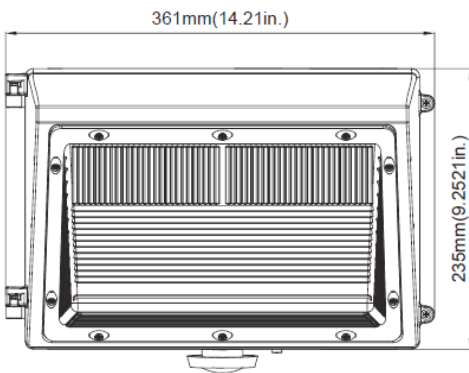
EXAMPLE: MIMDWPK-LED45DMV40

MIMDWPKSR LED

Series	Gear	Wattage/Lumens		Driver	Finish*	Color Temp		Options	
MIMDWPKSR LED Wall Pack	LED	45	45 Watts 5300 Lumens	DMV	(Blank) Bronze	40	4000K	PC120	Photocell 120V
	70	70	70 Watts 8100 Lumens			50	5000K	PC277	Photocell 277V
								OS	Occupancy Sensor
								EM	Emergency Battery Backup

*Consult for other options

DIMENSIONS



Dimensions and specifications subject to change without notice.

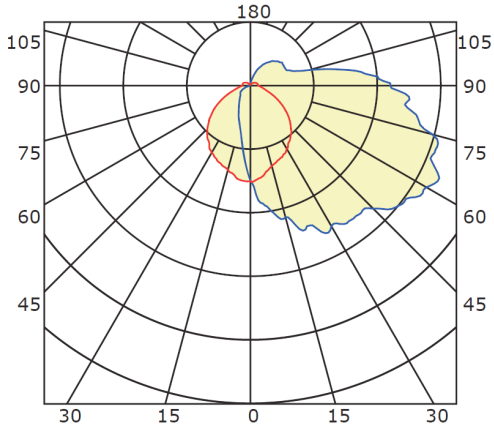


MOBERN
L I G H T I N G

◆ 800-444-WATT ◆ www.mobern.com ◆
8200 Stayton Dr., Ste. 500, Jessup, MD 20794

CAT#	
JOB NAME	TYPE

PHOTOMETRICS



Average Diffuse Angle(50%): 103.0°

Dimensions and specifications subject to change without notice.



◆ 800-444-WATT ◆ www.mobern.com ◆
8200 Stayton Dr., Ste. 500, Jessup, MD 20794

CAT#			
JOB NAME		TYPE	