

Series MIMDWPK

MIMDWPK SPECIFICATIONS

The MIMDWPK series is designed for use at 12' to 18' mounting height or above.

LAMPS

All fixtures come complete with a specified lamp. High Pressure Sodium 70w-150w and Metal Halide 70w-175w.

HOUSING

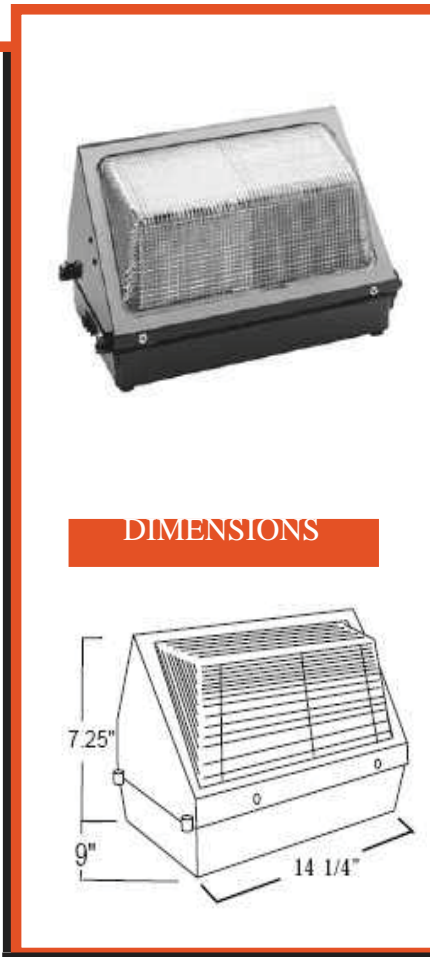
Die cast aluminum housing with a bronze powder coat finish is standard. This wall pack features a 1/2" and 3/4" threaded NPT. Consult factory for availability of other colors.

LENS/GASKET

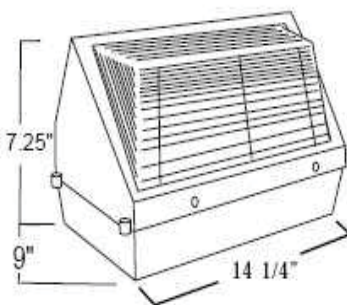
Clear, tempered glass refractors. High temperature silicone gasket.

WARRANTY

All Mobern Lighting Company Wall Packs are guaranteed for one year from any defects in materials and workmanship.



DIMENSIONS



Wet Location Listed

MIMDWPK SERIES ORDER INFORMATION

HIGH PRESSURE SODIUM

- MIMDWPK70HPSQV
- MIMDWPK70HPS480
- MIMDWPK100HPSQV
- MIMDWPK100HPS480
- MIMDWPK150HPSQV
- MIMDWPK150HPS480

DESCRIPTION

- HPS70 QUAD VOLT
- HPS70 480 VOLT
- HPS100 QUAD VOLT
- HPS100 480 VOLT
- HPS150 QUAD VOLT
- HPS150 480 VOLT

METAL HALIDE

- MIMDWPK70MHPSQV
- MIMDWPK70MHPS480
- MIMDWPK100MHPSQV
- MIMDWPK100MHPS480
- MIMDWPK150MHPSQV
- MIMDWPK150MHPS480
- MIMDWPK175MHPSQV
- MIMDWPK175MHPS480

DESCRIPTION

- MH70 PS QUAD VOLT
- MH70 PS 480 VOLT
- MH100 PS QUAD VOLT
- MH100 PS 480 VOLT
- MH150 PS QUAD VOLT
- MH150 PS 480 VOLT
- MH175 PS QUAD VOLT
- MH175 PS 480 VOLT

COMPACT FLUORESCENT

- MIMDWPK126PL
- MIMDWPK132PL
- MIMDWPK142PL
- MIMDWPK226PL
- MIMDWPK232PL
- MIMDWPK242PL

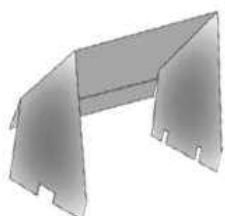
DESCRIPTION

- CF 1 Lamp 26W DT
- CF 1 Lamp 32W DT
- CF 1 Lamp 42W DT
- CF 2 Lamp 26W DT
- CF 2 Lamp 32W DT
- CF 2 Lamp 42W DT

CUT OFF SHIELD AND PHOTOCELLS ARE ALSO AVAILABLE OPTIONS

ACCESSORIES

MIS45



CATALOG

- MIP1000PC
- MIPDC150WG
- MIPDC150PG
- MIS45
- MIS3EBBE

DESCRIPTION

- BUTTON TYPE PHOTO CELL
- WIRE GUARD MWP
- POLY CARB. GUARD MWP
- CUT OFF SHIELD MWP
- EMERGENCY BATTERY BACKUP



800-444-WATT

mobern.com

CAT#

JOB NAME

TYPE

M
E
D
I
U
M

W
A
L
L
P
A
C
K