

APPLICATIONS

The MIMDFL Architectural Area Light is ideal for perimeter lighting. Applications include parking areas, entrances, walkways, underpasses, loading docks, recreation areas, tunnels.

FEATURES & BENEFITS

- ◆ Heavy duty die cast aluminum powder coating, corrosion resistant hardware
- ◆ Silicone rubber included to prevent any moisture intrusion
- ◆ Heat and impact resistant tempered glass
- ◆ Energy efficient LED light engine
- ◆ L70 lifetime 50,000 hrs
- ◆ Input voltage 120-277 CRI 70+
- ◆ UL and cUL listed for wet locations
- ◆ 5 year warranty



ORDERING DATA

EXAMPLE: MIMDFLLED78MV50

Series		Gear		Wattage		Driver Type		Kelvin Temp	
MIMDFL	LED	78	LED	78W	9555 Lumens	MV	Multi-Volt	50	5000K
Architectural Area Light		125		125W	15209 Lumens				



Slip Fitter

- Die Cast aluminum
- Jointed adjust over 180° arc
- Mount to 2.4" OD Tenon
- Powder Coat Finished



Trunion

- Heavy Duty Steel Bracket, 3.5mm
- Adjustable aiming over 180° arc
- Mounting can be locked securely in place
- Powder Coat Finished



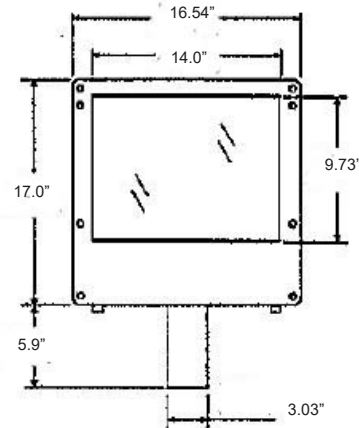
10" Rectangular Pole Mount

- Extruded aluminum
- Mounting can be locked securely in place
- Powder Coat Finished
- Fixture comes with two 5/16" bolts
- 2 inches between hole centers



10" Rectangular Pole Mount

- Extruded aluminum
- Mounting can be locked securely in place
- Powder Coat Finished
- Fixture comes with two 5/16" bolts
- 2 inches between hole centers



Visor

- Steel
- Thick 1.0mm
- Powder Coat Finished



Wire Guard

- Steel wire w/Chrome plating
- O.D. 4.0mm

Dimensions and specifications subject to change without notice.