

APPLICATIONS

The **MIMDCOWPKSR LED** Wall Pack is ideal for security, accent and perimeter lighting. Applications include entrance ways, garages, and commercial buildings. Housing is die-cast aluminum body with a standard bronze finish.

FEATURES & BENEFITS

- ◆ Heavy Duty Die Cast Aluminum Housing
- ◆ Min CRI 70
- ◆ Ambient operating temperature -40°C to 40°C (-40°F to 104°F)
- ◆ Bronze powder-coat finish
- ◆ Optional photocell and motion sensor
- ◆ Supports emergency battery
- ◆ Polycarbonate optical lens with UV stabilizers
- ◆ cUL_{us} listed for wet locations



ORDERING DATA

EXAMPLE: MIMDCOWPKSR-LED70DMVBZ40

Series	Gear	Wattage/Lumens		Driver	Finish*	Color Temp		Options	
MIMDCOWPKSR LED Wall Pack	LED	45	45 Watts 4900 Lumens	DMV	BZ	40	4000K	PC	Photocell
		70	70 Watts 7500 Lumens			50	5000K	OS	Occupancy Sensor
								EM	Emergency Battery Backup

*Consult for other options

DLC INFORMATION

DLC Listed Fixtures			
Model Number	Color Temp	Options	DLC Listing
MIMDCOWPKSR-LED45DMVBZxx	xx= 40,50	EM, PC, OS	Standard
MIMDCOWPKSR-LED70DMVBZxx	xx= 40,50	EM, PC, OS	Standard



Dimensions and specifications subject to change without notice.

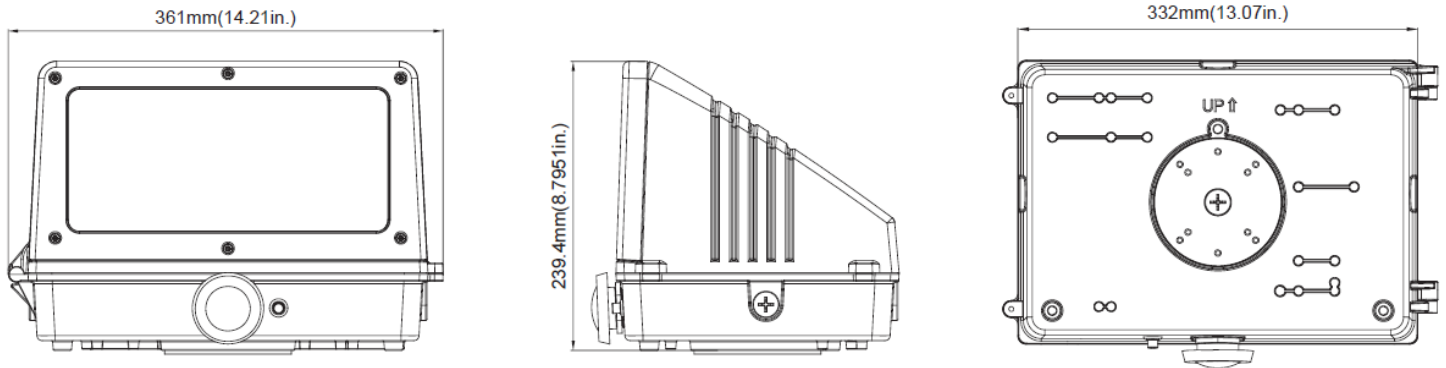


◆ 800-444-WATT ◆ www.mobern.com ◆
8200 Stayton Dr., Ste. 500, Jessup, MD 20794

CAT#			
JOB NAME		TYPE	



DIMENSIONS



Dimensions and specifications subject to change without notice.

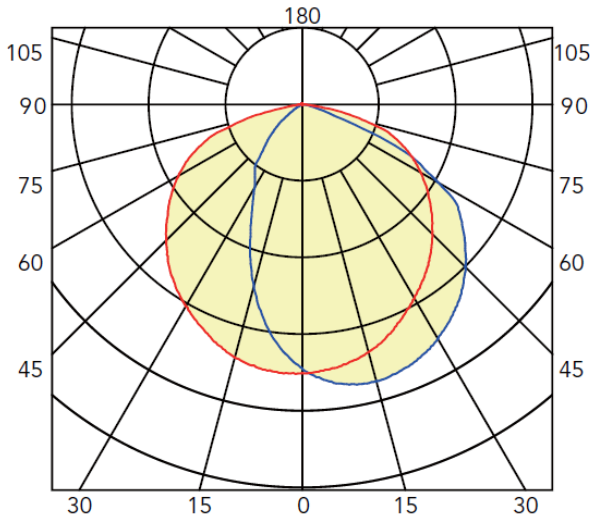


◆ 800-444-WATT ◆ www.mobern.com ◆
8200 Stayton Dr., Ste. 500, Jessup, MD 20794

CAT#			
JOB NAME		TYPE	

PHOTOMETRICS

Luminous Intensity Distribution Curve



Average Diffuse Angle(50%): 102.7°

Dimensions and specifications subject to change without notice.



◆ 800-444-WATT ◆ www.mobern.com ◆
8200 Stayton Dr., Ste. 500, Jessup, MD 20794

CAT#			
JOB NAME		TYPE	