

APPLICATIONS

The MIMDCOWPK Medium 90° Cut-off Wall Pack is ideal for security, accent and perimeter lighting. Applications include entrance ways, garages, and commercial buildings. The MIMDCOWPK utilizes High-Power LEDs which produce no UV rays; are instant on/off are mounted on an aluminum heat sink. The driver is multi-volt and constant current design - solid state - high shock / vibration resistant. The housing is made of a die-cast aluminum. Standard finish is bronze. Back plate with cast-in knockouts for alignment with all standard recessed boxes.



FEATURES & BENEFITS

- ◆ Heavy Duty Die Cast Aluminum Housing
- ◆ Tempered glass or polycarbonate lens (see chart on page 2)
- ◆ Die Cast Hinged Front & Rear Housings, Gasket
- ◆ Coin Plugs on Sides and Back
- ◆ Built-In Template for Mounting to Electrical Box
- ◆ Chromate Conversion Coating
- ◆ Textured Bronze Finish
- ◆ Meets Local "Dark Sky" Requirements
- ◆ cETL_{US} or UL Listed (wet location)



28W - 56W
Replaces
Up to 250WMH

ORDERING DATA

EXAMPLE: MIMDCOWPKLED12DMV27

MIMDCOWPK		LED									
Series	Gear	Wattage/Lumens		Driver ¹		Finish ³		Color Temp ⁵		Options	
MIMDCOWPK Decorative LED Wall Pack	LED	12	12 Watts 1606 Lumens	MV	120 - 277VAC	Blank	Bronze	27	2700K	PC120	Photocell 120V
		24	24 Watts 3213 Lumens	DMV	120-277VAC	WH ⁴	White	30	3000K	PC277	Photocell 277V
		36	36 Watts 4819 Lumens		0-10V Dimmable	BK ⁴	Black	35	3500K	OS ⁴	Occupancy Sensor
		45	45 Watts 4900 Lumens	SDMV	120-277VAC	SI ⁴	Silver	40	4000K	EM	Emergency Battery Backup
		48	48 Watts 6426 Lumens		Step Dimming			50	5000K		
		60	60 Watts 6032 Lumens		100%-40%			55	5500K		
				HV ²	347-480VAC						

Notes:

- ¹See chart for availability (Next page)
- ²Not available with photocell or occupancy sensor
- ³Consult for other options
- ⁴Not available in 45 Watts
- ⁵See chart for availability (Next page)

Dimensions and specifications subject to change without notice.



L I G H T I N G

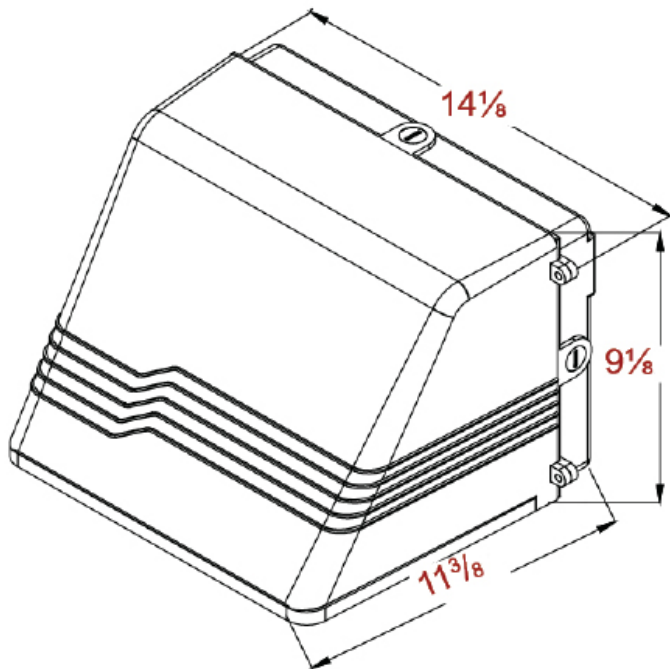
◆ 800-444-WATT ◆ www.mobern.com ◆
8200 Stayton Dr., Ste. 500, Jessup, MD 20794

CAT#			
JOB NAME	TYPE		

SPECIFICATIONS

Model	Input Watts	CRI	Color Temp x100 (K)	Dimmable	Lens	EM	UL/ETL	BAA Compliant
MIMDCOWPKLED12MVxx	12W	80+	27,30,35,40,50,55	Optional	Glass	Yes	ETL	Yes
MIMDCOWPKLED24MVxx	24W	80+	27,30,35,40,50,55	Optional	Glass	Yes	ETL	Yes
MIMDCOWPKLED36MVxx	36W	80+	27,30,35,40,50,55	Optional	Glass	Yes	ETL	Yes
MIMDCOWPKLED45MVxx	45W	80+	40,50	No	Polycarbonate	No	UL	No
MIMDCOWPKLED48MVxx	48W	80+	27,30,35,40,50,55	Optional	Glass	Yes	ETL	Yes
MIMDCOWPKLED60MVxx	60W	80+	27,30,35,40,50,55	Optional	Glass	Yes	ETL	Yes

DIMENSIONS



Dimensions and specifications subject to change without notice.

