

APPLICATIONS

The MIMBWPK wall pack is ideal for security, accent and perimeter lighting. Applications include entrance ways, garages and commercial buildings.

FEATURES & BENEFITS

- ◆ Light, compact design
- ◆ Sturdy, die-cast rear aluminum housing
- ◆ Architectural bronze UV resistant powder coat finish
- ◆ UV stabilized polycarbonate lens-clear ribbed
- ◆ UV stabilized polycarbonate front housing
- ◆ Continuous silicone rubber gasket between housing and lens/cover
- ◆ Excellent heat management for long life
- ◆ 41K lamps included
- ◆ GX24Q-4 sockets
- ◆ UL/cUL listed (wet location)



SPECIFICATIONS

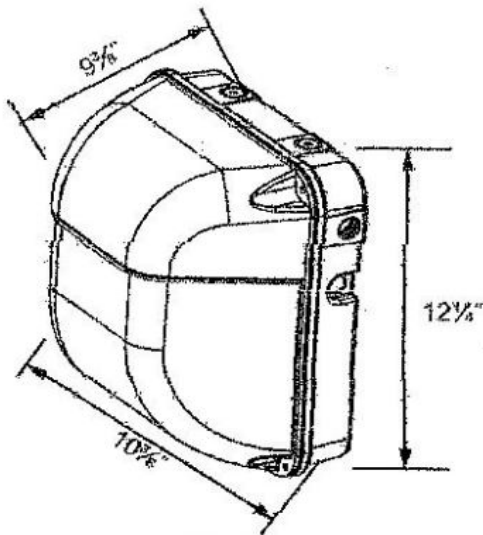
Die-cast aluminum housing with cast-in template for mounting over an electrical box. Color matched hinged polycarbonate front housing with clear ribbed lens area. 1/2" coin plugs with O-rings for conduit and photocell, textured architectural bronze powdercoat finish over a chromate conversion coating. Aluminum reflector. Lens area is clear ribbed polycarbonate in front housing. Mount over a 4" recessed outlet box or use 1/2" surface conduit.

ORDERING DATA

EXAMPLE: MIMBWPK126PLELDTM

| MIMBWPK | | | PLELDT | | | |
|---------|---------------|---------|---------|--------------|-----|---------------|
| Series | Lamp | Wattage | Ballast | Options | | |
| MIMBWPK | 1 1 CFL lamp | 26 26W | PLELDT | CFL dual tap | EM | Battery Pack |
| | 2 2 CFL lamps | 32 32W | | 120-277V | PC1 | Photocell 120 |
| | | 42 42W | | | PC2 | Photocell 277 |

*Note: EM battery operates 1-42PL or 2-26PL
Reduced lumen output for emergency lighting



Dimensions and specifications subject to change without notice.



MOBERN

L I G H T I N G

◆ 800-444-WATT ◆ www.mobern.com ◆
8200 Stayton Dr., Ste. 500, Jessup, MD 20794

CAT#

JOB NAME

TYPE