

APPLICATIONS

The **MILGWPKSR LED** Wall Pack is ideal for security, accent and perimeter lighting. Applications include entrance ways, garages, and commercial buildings. Housing is die-cast aluminum body with a standard bronze finish.

FEATURES & BENEFITS

- ◆ Heavy Duty Die Cast Aluminum Housing
- ◆ Min CRI 70
- ◆ Ambient operating temperature -40°C to 40°C (-40°F to 104°F)
- ◆ Bronze powder-coat finish
- ◆ Optional photocell and motion sensor
- ◆ Supports emergency battery
- ◆ Polycarbonate optical lens with UV stabilizers
- ◆ cUL_{us} listed for wet locations



ORDERING DATA

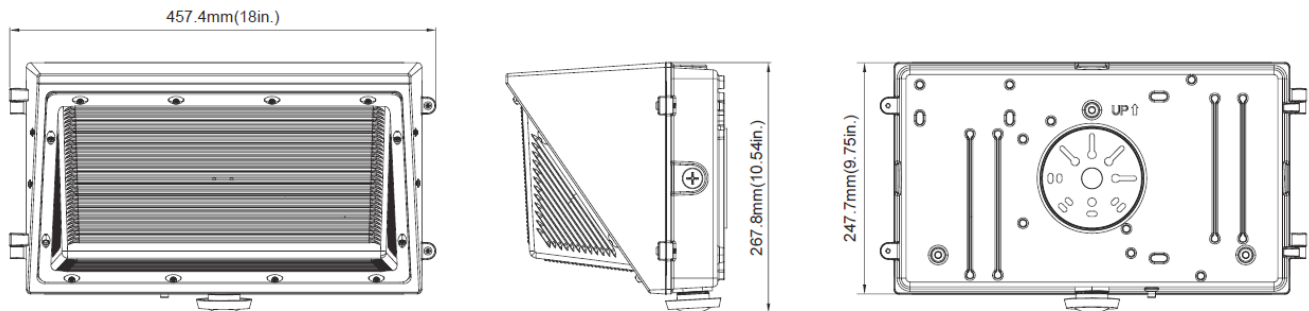
EXAMPLE: MILGWPKSR-LED90DMV40

MILGWPKSR LED

Series	Gear	Wattage/Lumens		Driver	Finish*	Color Temp		Options	
MILGWPKSR LED Wall Pack	LED	90	90 Watts 9950 Lumens	DMV	120-277VAC 0-10V Dimmable	(Blank) Bronze	40 4000K 50 5000K	PC OS EM	Photocell Occupancy Sensor Emergency Battery Backup

*Consult for other options

DIMENSIONS



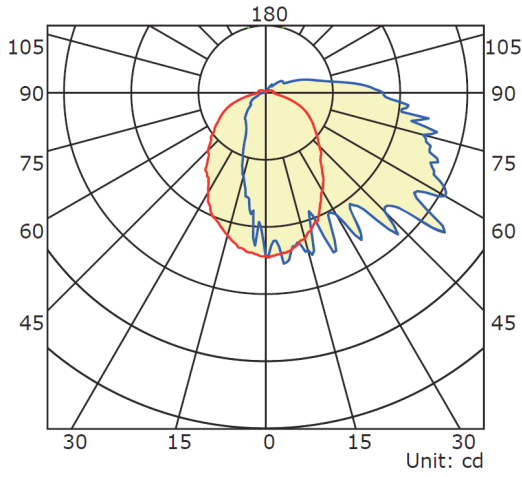
Dimensions and specifications subject to change without notice.



◆ 800-444-WATT ◆ www.mobern.com ◆
8200 Stayton Dr., Ste. 500, Jessup, MD 20794

CAT#	
JOB NAME	TYPE

PHOTOMETRICS



Average Diffuse Angle(50%): 93.0°

Dimensions and specifications subject to change without notice.



◆ 800-444-WATT ◆ www.mobern.com ◆
8200 Stayton Dr., Ste. 500, Jessup, MD 20794

CAT#			
JOB NAME		TYPE	