

APPLICATIONS

The MILGWPK Wall Pack is designed for use at 18' to 25' mounting height or above.

FEATURES & BENEFITS

- ◆ Die-cast aluminum housing with a bronze powder coat finish is standard
- ◆ Clear tempered glass refractors. High temperature silicone gasket
- ◆ Comes complete with a specified lamp. High Pressure Sodium and Metal Halide 250W-400W
- ◆ Guaranteed for one year from any defects in materials and workmanship



ORDERING DATA

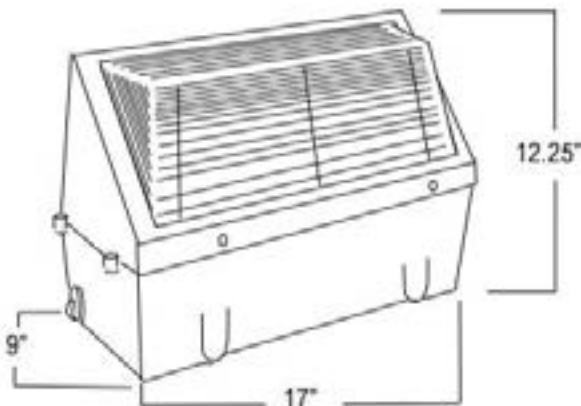
EXAMPLE: MILGWPKLED42MV400C

HIGH PRESSURE SODIUM

Item Number	Description
MILGWPK250HPSQV	HPS250 Quad Volt
MILGWPK250HPS480	HPS250 480 Volt
MILGWPK320MHPSQV	HPS320 Quad Volt
MILGWPK400HPSQV	HPS400 Quad Volt
MILGWPK400HPS480	HPS400 480 Volt

METAL HALIDE

Item Number	Description
MILGWPK250MHPSQV	MH250 PS Quad Volt
MILGWPK250MHPS480	MH250 PS 480 Volt
MILGWPK400MHPSQV	MH400 PS Quad Volt
MILGWPK400MHPS480	MH400 PS 480 Volt



ACCESSORIES

Item Number	Description
MIP1000PC	Button Type Photocell
MIPDC200WG	Wire Guard LWP
MIS46	Cut Off Shield LWP



Dimensions and specifications subject to change without notice.



◆ 800-444-WATT ◆ www.mobern.com ◆
8200 Stayton Dr., Ste. 500, Jessup, MD 20794

CAT#			
JOB NAME		TYPE	