

### APPLICATIONS

The **MILGFLT LED** is truly an energy-efficient roadway fixture. MILGPR LED provides uniform light distribution in any given environment while minimum power. Its sides are constructed by die-cast aluminum while its patented centerpiece is designed to maximize heat dissipation from the LED light engine. This technology allows the fixture to run cooler maximizing LED and driver operating life. The powder painted "BodyGuard" finish provides excellent protection.

### SPECIFICATIONS

- ◆ Heavy duty die-cast aluminum powder coating, corrosion resistant hardware
- ◆ Heat and impact resistant tempered glass
- ◆ Gasket included to prevent any leakage from the outside
- ◆ Finish - Bronze
- ◆ cUL<sub>us</sub> listed for wet locations



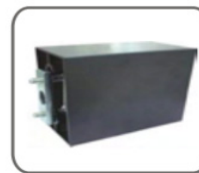
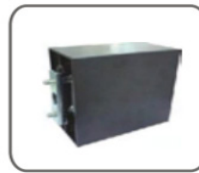
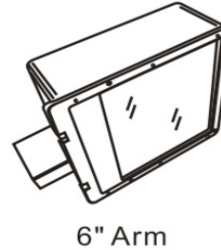
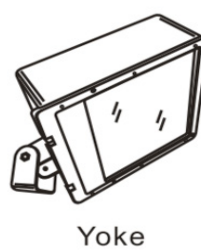
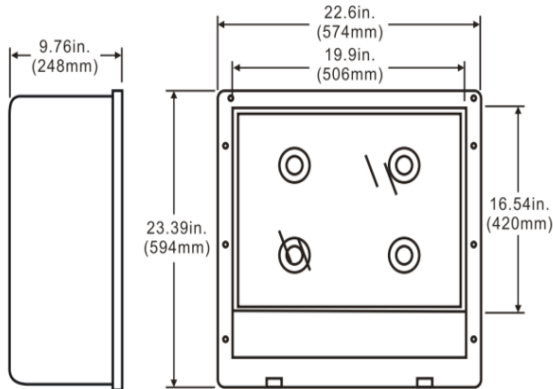
### ORDERING DATA

**EXAMPLE: MILGFLTLED250MV50**

MILGFLT	LED	250	MV	50	
Series	Gear	Wattage /Lumens		Driver	Color Temp*
<b>MILGFLT</b> Roadway Fixture	<b>LED</b>	<b>250</b>	<b>250 Watts 30986 Lumens*</b>	<b>MV</b> 120-277VAC Multivolt	<b>50</b> 5000K

\*\*Optional Mounting and Kelvin color with adder.

### DIMENSIONS



Powered by **CREE** LEDs

\*DISCLAIMER: This test report was produced in accordance with IES LM-79 photometric testing protocol for luminaires, using a single representative test fixture. Actual production units may vary from the values reported here by up to ±10%.

Dimensions and specifications subject to change without notice.



◆ 800-444-WATT ◆ www.mobern.com ◆  
8200 Stayton Dr., Ste. 500, Jessup, MD 20794

CAT#			
JOB NAME		TYPE	