

APPLICATIONS

The **MILGCOWPKSR LED** Wall Pack is ideal for security, accent and perimeter lighting. Applications include entrance ways, garages, and commercial buildings. Housing is die-cast aluminum body with a standard bronze finish.

FEATURES & BENEFITS

- ◆ Heavy Duty Die Cast Aluminum Housing
- ◆ Min CRI 70
- ◆ Ambient operating temperature -40°C to 40°C (-40°F to 104°F)
- ◆ Bronze powder-coat finish
- ◆ Optional photocell and motion sensor
- ◆ Supports emergency battery
- ◆ Polycarbonate optical lens with UV stabilizers
- ◆ cUL_{US} listed for wet locations



ORDERING DATA

EXAMPLE: MILGCOWPKSR-LED90DMVBZ40

Series	Gear	Wattage/Lumens	Driver	Finish*	Color Temp	Options
MILGCOWPKSR LED Wall Pack	LED	90 90 Watts 9700 Lumens 135 135 Watts 14500 Lumens	DMV 120-277VAC 0-10V Dimmable	BZ Dark Bronze	40 4000K** 50 5000K	PC Photocell OS Occupancy Sensor EM Emergency Battery Backup

Notes:

*Consult for other options
**Special Order

DLC INFORMATION

DLC Listed Fixtures			
Model Number	Color Temp	Options	DLC Listing
MILGCOWPKSR-LED90DMVBZxx	xx= 40,50	EM, PC, OS	Standard
MILGCOWPKSR-LED135DMVBZxx	xx= 40,50	EM, PC, OS	Standard

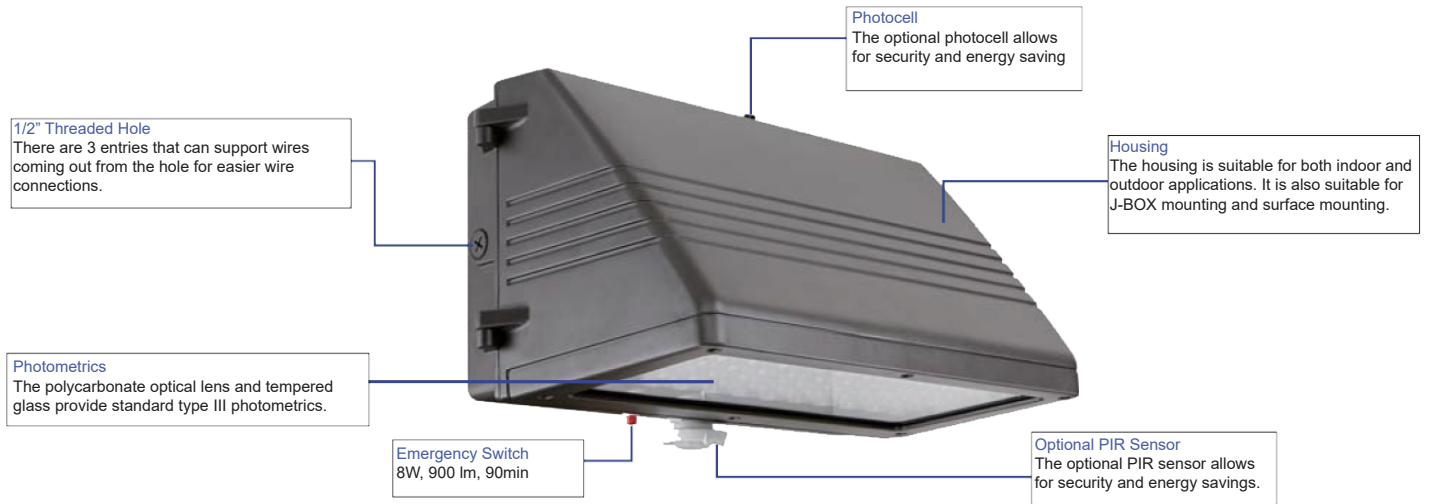


Dimensions and specifications subject to change without notice.

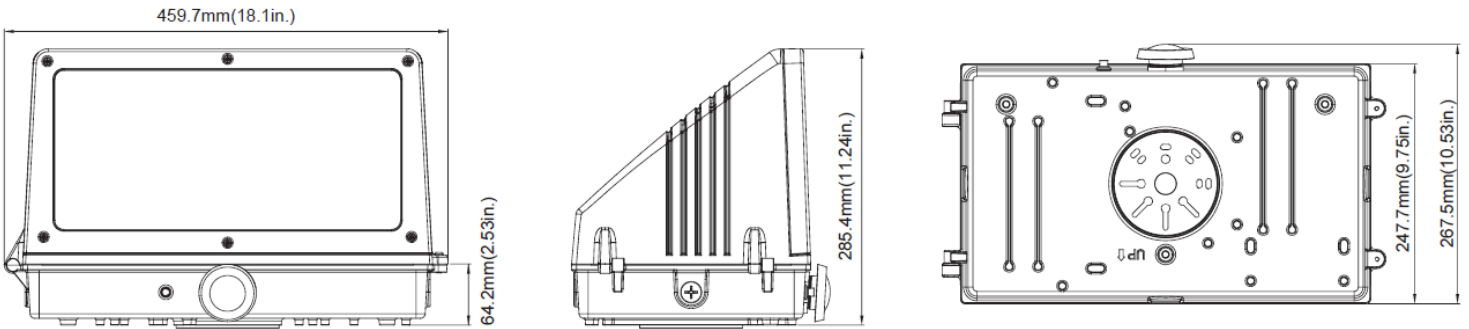


◆ 800-444-WATT ◆ www.mobern.com ◆
8200 Stayton Dr., Ste. 500, Jessup, MD 20794

CAT#			
JOB NAME		TYPE	



DIMENSIONS



Dimensions and specifications subject to change without notice.

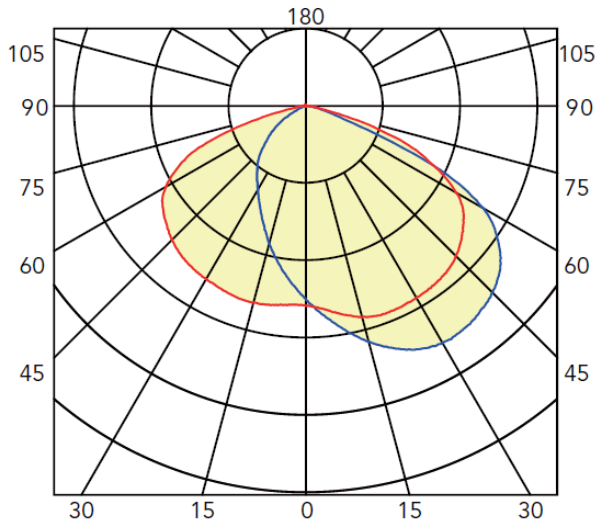


◆ 800-444-WATT ◆ www.mobern.com ◆
8200 Stayton Dr., Ste. 500, Jessup, MD 20794

CAT#			
JOB NAME		TYPE	

PHOTOMETRICS

Luminous Intensity Distribution Curve



Average Diffuse Angle(50%): 109.7°

Dimensions and specifications subject to change without notice.



◆ 800-444-WATT ◆ www.mobern.com ◆
8200 Stayton Dr., Ste. 500, Jessup, MD 20794

CAT#			
JOB NAME		TYPE	