

### FEATURES & BENEFITS

- ◆ 120V input voltage, 50/60Hz
- ◆ High power factor
- ◆ Ambient operating temperature -40°C TO +50°C
- ◆ L<sub>70</sub> > 50000 hrs
- ◆ Molded of durable non-corrosive UV resistant resins
- ◆ Acrylic diffuser
- ◆ Post tops fit most 3" diameter posts (not included)
- ◆ cUL<sub>US</sub> Listed for wet locations



MHOP



MHOW



MHOL

### ORDERING DATA

EXAMPLE: MHO-LED13D120WH30

MHO		LED	13	D120				
Series	Mount	Gear	Wattage / Lumens	Driver	Finish	Color Temp		Options
<b>MHO</b> Hexagon Lanterns and Post Tops	<b>P</b> Post Top <b>W</b> Wall Mount <b>L</b> Wall Mount Long Tail	<b>LED</b>	<b>13</b> 13 Watts 1000 Lumens	<b>D120</b> 120VAC Triac Dimmable	<b>WH</b> White <b>BK</b> Black	<b>30</b> 3000K <b>40</b> 4000K	<b>PC</b> Photocell*	
*Photocell Not Available on Post Top								

### INC ORDERING DATA

EXAMPLE: MHOP-INCLEDWHCL40

MHO		INC*	LED						
Series	Mount	Socket	Lamp Type (optional)	Finish	Lens	Color Temp (Optional)		Options	
<b>MHO</b> Hexagon Lanterns and Post Tops	<b>P</b> Post Top <b>W</b> Wall Mount <b>L</b> Wall Mount Long Tail	<b>INC*</b> Incandescent  *60W max	<b>LED</b> 9.5 watt A19/E26 120VAC 800 Lamp Lumens Triac Dimmable	<b>BK</b> Black <b>WH</b> White	<b>CL</b> Clear	<b>30</b> 3000K <b>40</b> 4000K	<b>PC</b> Photocell*		
*Photocell Not Available on Post Top									

Dimensions and specifications subject to change without notice.



◆ 800-444-WATT ◆ www.mobern.com ◆  
8200 Stayton Dr., Ste. 500, Jessup, MD 20794

CAT#

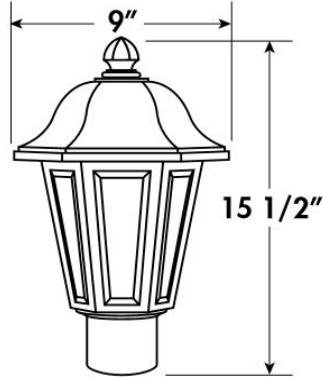
JOB NAME

TYPE

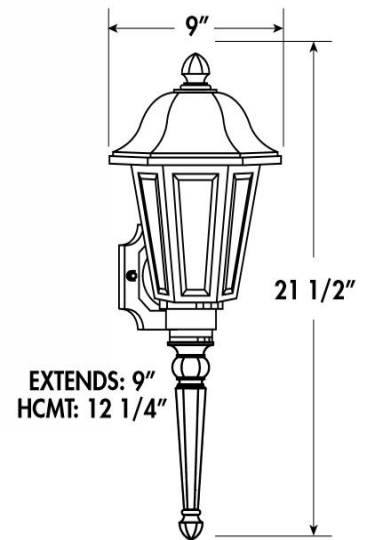
**DIMENSIONS**



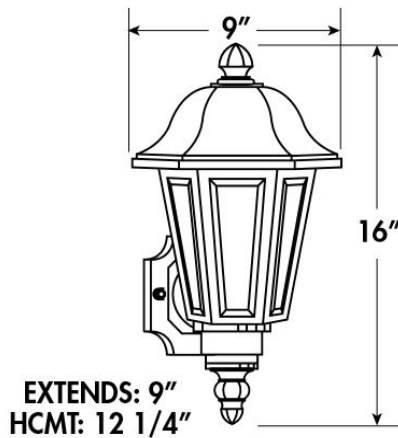
**MHOP**



**MHOL**



**MHOW**



Dimensions and specifications subject to change without notice.

