

### FEATURES & BENEFITS

- ◆ Molded of durable non-corrosive UV resistant resins
- ◆ Wall mount only
- ◆ Available in black or white
- ◆ Clear prismatic or white lens
- ◆ Both long & short tail included
- ◆ Optional LED A19/E26 lamp
- ◆ 3 year warranty
- ◆ cUL<sub>us</sub> listed for wet locations



Long Tail



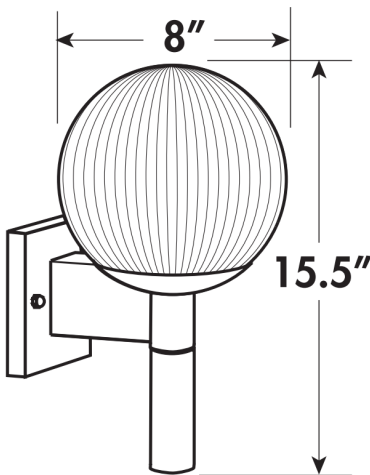
Short Tail

### ORDERING DATA FOR LED A LAMP

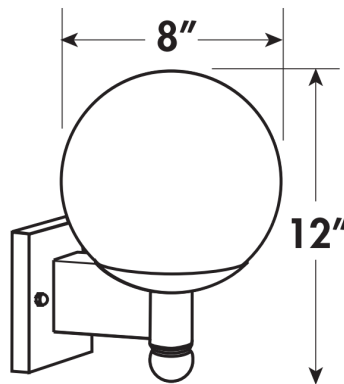
### EXAMPLE: MGOW8INCLEDWHCL40

Series	Size	Socket	Lamp Type (Optional) <sup>1</sup>	Finish	Globe	Color Temp (Optional) <sup>2</sup>
MGO	8 8" Dia	INC Incandescent	LED 9.5 watt A19/E26 120VAC 800 Lamp Lumens Triac Dimmable (75W MAX)	WH White BK Black	CL Clear Prism WH White	30 3000K 40 4000K
Mount						
W Wall Mount						<sup>2</sup> Must include LED Lamp Type

### DIMENSIONS



Long Tail



Short Tail

Dimensions and specifications subject to change without notice.



◆ 800-444-WATT ◆ www.mobern.com ◆

8200 Stayton Dr., Ste. 500, Jessup, MD 20794

CAT#

JOB NAME

TYPE