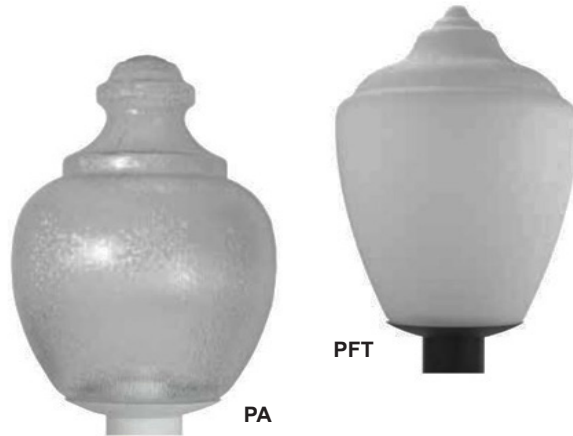


**FEATURES & BENEFITS**

- ◆ 120V input voltage, 50/60Hz
- ◆ High power factor
- ◆ Ambient operating temperature -40°C to +50°C
- ◆ L<sub>70</sub> > 50,000 hrs
- ◆ Molded of durable non-corrosive UV resistant resins
- ◆ Acrylic, polycarbonate & polyethylene diffusers
- ◆ Fits most 3 inch diameter posts (not included)
- ◆ UL Listed for wet locations



**ORDERING DATA**

**EXAMPLE: MGPFTALED13D120BK30**

MG		LED		D120			
Series	Shape	Lens	Gear	Wattage & Lumens	Driver	Finish	Color Temp
<b>MG</b> Acorn/Flame Tip Collection	<b>PFT</b> Flame Tip <b>PA</b> Acorn	<b>A</b> Clear Acrylic <b>C</b> Clear Polycarbonate <b>W</b> White Polyethylene	<b>LED</b>	<b>13</b> 13 Watts 1000 Lumens <b>14</b> 14 Watts 1400 Lumens <b>23</b> 23 Watts 1900 Lumens	<b>D120</b> Dimmable 120V	<b>BK</b> Black <b>WH</b> White	<b>30</b> 3000K <b>40</b> 4000K

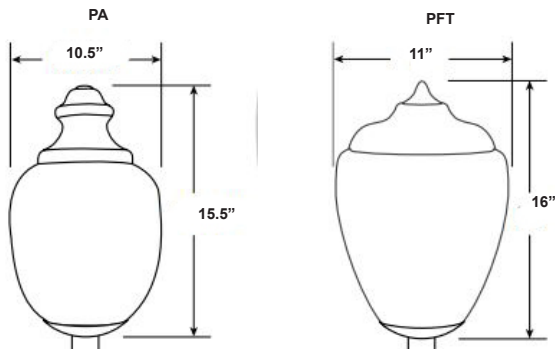
**ORDERING DATA**

**EXAMPLE: MGPFTAINC-LEDBK30**

Series	Shape	Lens	Socket	Lamp Type (optional)	Finish	Color Temp (Optional)	Options
<b>MG</b> Acorn/ Flame Tip Collection	<b>PFT</b> Flame Tip <b>PA</b> Acorn	<b>A</b> Clear Acrylic <b>C</b> Clear Polycarbonate <b>W</b> White Polyethylene	<b>INC</b> Incandescent*	<b>LED</b> 9.5 watt A19/E26 120VAC 800 Lamp Lumens Triac Dimmable	<b>BK</b> Black <b>WH</b> White	<b>30</b> 3000K <b>40</b> 4000K	<b>PC</b> Photocell <sup>1</sup>

\*Suitable for lamps up to 150W

**DIMENSIONS**



Dimensions and specifications subject to change without notice.



◆ 800-444-WATT ◆ www.mobern.com ◆  
8200 Stayton Dr., Ste. 500, Jessup, MD 20794

CAT#		
JOB NAME		TYPE

**FEATURES & BENEFITS**

- ◆ UL/cUL Listed for wet location
- ◆ Molded of durable non-corrosive UV resistant resins
- ◆ Fits most 3" diameter posts
- ◆ UL listed for wet locations



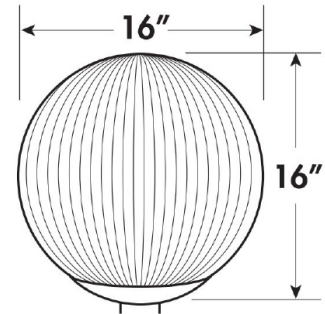
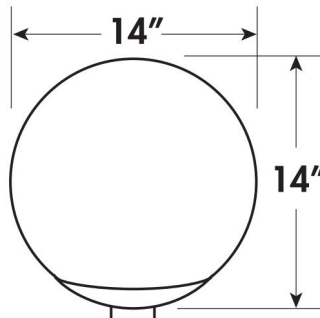
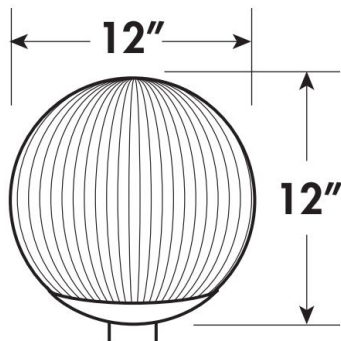
**ORDERING DATA**

**EXAMPLE: MNGP12-INCLEDWHCP40**

Series	Mounting	Size	Socket	Lamp Type (optional)	Finish	Lens	Color Temp (Optional)
<b>MNG</b> LED Outdoor Neckless Globe Post Top	<b>P</b> Post Top	<b>12*</b> 12" <b>14**</b> 14" <b>16**</b> 16"	<b>INC</b> Incandescent	<b>LED</b> 9.5 watt A19/E26 120VAC 800 Lamp Lumens Triac Dimmable	<b>BK</b> Black <b>WH</b> White	<b>CP</b> Clear Prism <b>W</b> White	<b>40</b> 4000K

\* Suitable for bulbs up to 100 watts  
\*\* Suitable for bulbs up to 150 watts

**DIMENSIONS**



Dimensions and specifications subject to change without notice.

CAT#	
JOB NAME	TYPE

**FEATURES & BENEFITS**

- ◆ UL/cUL Listed for wet location
- ◆ Molded of durable non-corrosive UV resistant resins
- ◆ Fits most 3" diameter posts
- ◆ UL listed for wet locations

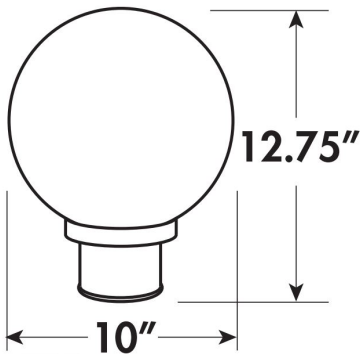


**ORDERING DATA**

**EXAMPLE: MNGP12-INCLEDWHCP40**

Series	Mounting	Size	Socket	Lamp Type (optional)	Finish	Lens	Color Temp (Optional)
<b>MG</b> LED Globe Post Top	<b>P</b> Post Top	<b>10 10"</b>	<b>INC*</b> Incandescent <small>*100W max</small>	<b>LED</b> 9.5 watt A19/E26 120VAC 800 Lamp Lumens Triac Dimmable	<b>BK</b> Black <b>WH</b> White	<b>CP</b> Clear Prism <b>W</b> White	<b>40</b> 4000K <b>30</b> 3000K

**DIMENSIONS**



Dimensions and specifications subject to change without notice.