

**APPLICATIONS**

Ideal for commercial, institutional and industrial facilities where economy, appearance, and ultimate ease of installation and maintenance are desired. Also ideal when a low profile unit needs to meet limited space requirements and any space requiring back-up emergency lighting.

**FEATURES & BENEFITS**

- ◆ Compact design in neutral finish. (also available in black finish).
- ◆ Completely self-contained
- ◆ Universal mounting with "EZ" Quick Connect for rapid labor saving installation
- ◆ Push to test switch
- ◆ 6-Volt premium grade, pure lead, maintenance-free battery with 10 year expected life
- ◆ Environmentally-coated, solid state charger with automatic low voltage disconnect protect battery from deep discharge.
- ◆ Injection-molded, V-O flame retardant, high-impact, thermoplastic housing
- ◆ Standard with 2 stationary 5.6 watt, glare-free lighting heads.
- ◆ Damp location standard
- ◆ 120/277 dual voltage input
- ◆ Self Diagnostics Optional
- ◆ \*Meets UL 924, NFPA101 Life Safety Code, NEC, OSHA, Local and State Codes.



**SPECIFICATIONS**

Whenever normal utility power fails, the internal solid-state transfer switch automatically connects the internal battery to the 2 lamp heads, illuminating them for a minimum of 90 minutes. When utility power is restored, the battery is disconnected from the lamps. Recharging the battery is initiated by a fully automatic solid-state, 2 rate charger. Full charging is accomplished within 12 hours.

**WARRANTY**

Both the MEBE fixture and internal battery carry a warranty of one year from time of shipment to be free from defective material and workmanship. The battery is pro-rated for a 5-year period when operated at normal ambient temperatures.

| Catalog Number | Description                                       | Options  |
|----------------|---|--|
| <b>MEBEMS2</b> | 6 Volt, 11 Watt Standard 2 Head Emergency Fixture | <b>SD</b> Self Diagnostics<br><b>RC</b> Remote Capable<br><b>LED</b> 12 LED per head<br><b>LEDRC</b> 12LED per head and remote capable<br><b>LEDRD</b> LED Round Heads<br><b>USA</b> Made in America |

OPTIONS: Add "RC" to end of part number for additional 2 standard remote light fixture capability (22 Watt Maximum for 90 Minutes)  
 Add "SD" to end of part number for Self-Diagnostics option. Additional remote heads sold separately

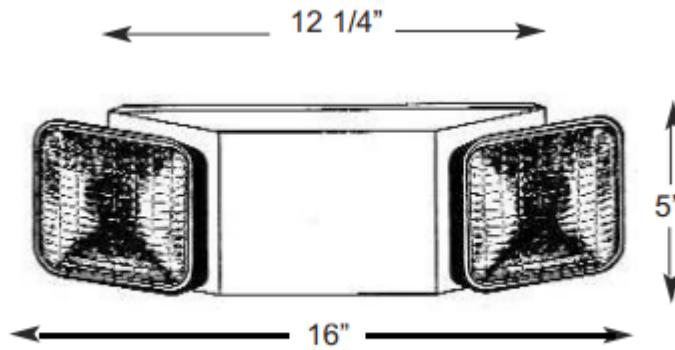
Dimensions and specifications subject to change without notice.

|          |      |
|----------|------|
| CAT#     |      |
| JOB NAME | TYPE |

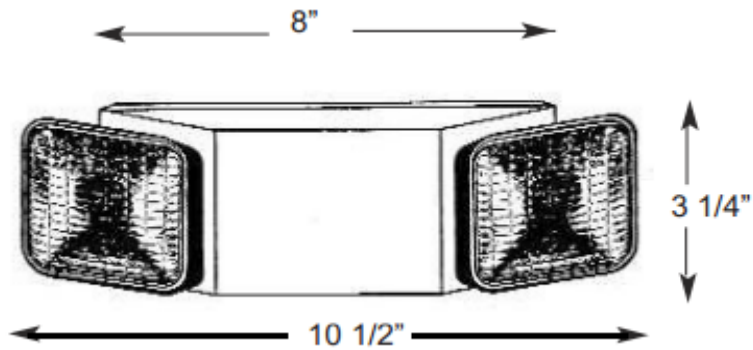
**DIMENSIONS**

Standard Unit Dimensions

**Standard Unit**



**LED**



LED Round Head Unit Dimensions  
COMING SOON

Dimensions and specifications subject to change without notice.

|          |      |
|----------|------|
| CAT#     |      |
| JOB NAME | TYPE |