

FEATURES & BENEFITS

ILLUMINATION

- ◆ Two fully adjustable ultra bright, round, 7W, MR-16 halogen lamp heads standard
- ◆ Optional 3.3W MR-16 base white LED lamp heads

ELECTRICAL

- ◆ Dual 120/277 voltage
- ◆ Charge rate/power "On" LED indicator light and push-to-test switch for mandated code compliance testing
- ◆ LVD (low voltage disconnect) prevents battery from deep discharge
- ◆ 6V maintenance-free, rechargeable sealed lead acid battery
- ◆ Internal solid-state transfer switch automatically connects the internal battery to lamp heads for minimum 90-minute emergency illumination
- ◆ Fully automatic solid-state, two rate charger recharges a discharged battery in 24 hours

MOUNTING

- ◆ Surface mount via easy connect back plate, which fits most standard junction boxes and snaps into place making internal electrical connections
- ◆ Top and side knockout for conduit applications
- ◆ Suitable for wall mount



HOUSING

- ◆ Injection-molded, engineering grade, 5VA flame retardant, high-impact resistant, thermoplastic in white or black finish

WARRANTY / LISTING

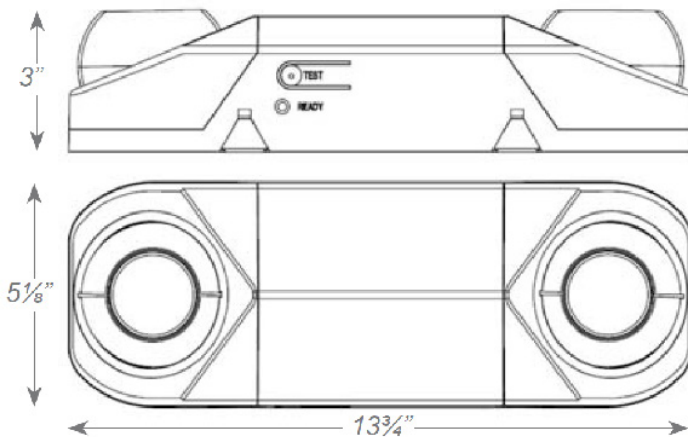
- ◆ Five year warranty on all electronics and housing. Battery pro rated for two years
- ◆ Meets UL924, NFPA 101 Life Safety Code, NEC, OSHA, Local and State Codes
- ◆ UL Listed for damp locations (20° - 40°C)

ORDERING DATA

EXAMPLE: MEBEMRMR16LED

| Series | Housing Color | Options |
|------------|---------------|--|
| MEBEMRMR16 | (Blank) B | White Black |
| | | LED 3.3W High Lumen White LED Lamp PLED 5.0W High Lumen White LED Lamps |

DIMENSIONS



Dimensions and specifications subject to change without notice.



| | |
|----------|--|
| CAT# | |
| JOB NAME | |
| TYPE | |

**REMOTE CAPABLE
FEATURES & BENEFITS**

ILLUMINATION

- ◆ Two fully adjustable ultra bright, 12.0 watt, MR-16 halogen lamp heads standard
- ◆ High performance MR-16 halogen lamps with smooth metallized reflector and glass lens for optimal light distribution

ELECTRICAL

- ◆ Dual 120/277 voltage
- ◆ Charge rate/power "On" LED indicator light and push-to-test switch for mandated code compliance testing
- ◆ LVD (low voltage disconnect) prevents battery from deep discharge
- ◆ 6V maintenance-free, rechargeable sealed lead acid battery
- ◆ Offers 26W of remote capacity (6V/12V DC output) when using standard 12W halogen lamps and 43W of remote capacity (6V/12V DC output) when using optional 3.3W LED lamps
- ◆ Internal solid-state transfer switch automatically connects the internal battery to lamp heads for minimum 90-minute emergency illumination
- ◆ Fully automatic solid-state, two rate charger recharges a discharged battery in 24 hours

MOUNTING

- ◆ Universal knockout pattern on back plate for wall mount snaps into place making internal electrical connections
- ◆ Conduit mount knockout on top of housing and back plate



HOUSING

- ◆ Injection-molded, engineering grade, 5VA flame retardant, high-impact resistant, thermoplastic in white or black finish

WARRANTY / LISTING

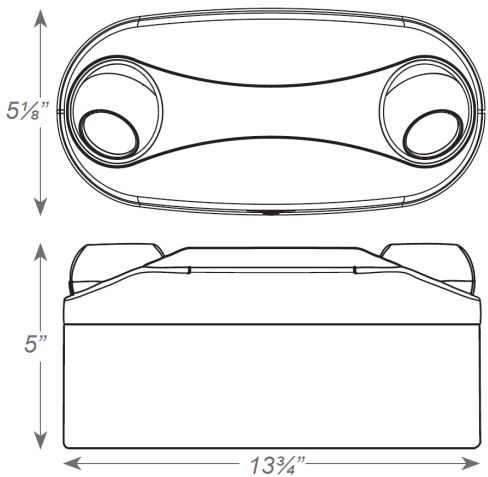
- ◆ Five year warranty on all electronics and housing. Battery pro rated for two years
- ◆ Meets UL924, NFPA 101 Life Safety Code, NEC, OSHA, Local and State Codes
- ◆ UL Listed for damp locations (20° - 40°C)

ORDERING DATA

EXAMPLE: MEBEMRMR1665LED

| Series | Voltage | Housing Color | Options |
|------------|-------------------|----------------|---|
| MEBEMRMR16 | 65 125 | (Blank) B | LED PLED |
| | 6 Volt 12 Volt | White Black | 3.3W High Lumen White LED Lamp 5.0W High Lumen White LED Lamps |

DIMENSIONS



Dimensions and specifications subject to change without notice.



| | |
|----------|------|
| CAT# | |
| JOB NAME | TYPE |