

**FEATURES & BENEFITS**

**ILLUMINATION**

- ◆ Adjustable, glare-free PAR-Type lamp heads.
- ◆ 6V model offers 7.2W lamps, standard.
- ◆ 12V 50W model offers 9W lamps, standard.
- ◆ 12V 100W model offers 12W lamps, standard

**ELECTRICAL**

- ◆ Dual 120/277 voltage
- ◆ Charge rate/power "ON" LED indicator light and push-to-test switch for mandated code compliance testing.
- ◆ LVD (low voltage disconnect) prevents battery from deep discharge.
- ◆ 6V long life, maintenance free, rechargable sealed lead acid battery.
- ◆ Internal solid-state transfer switch automatically connects the internal battery to LED board for minimum 90-minute emergency illumination
- ◆ Fully automatic solid-state, two rate charger initiates battery charging to recharge a discharged battery in 24 hours

**MOUNTING**

- ◆ Knockouts on the back for wall mount
- ◆ Side and top knockouts for conduit feed applications

**HOUSING**

- ◆ Injection-molded, engineering-grade, 5VA flame retardant, high-impact thermoplastic construction.



**WARRANTY**

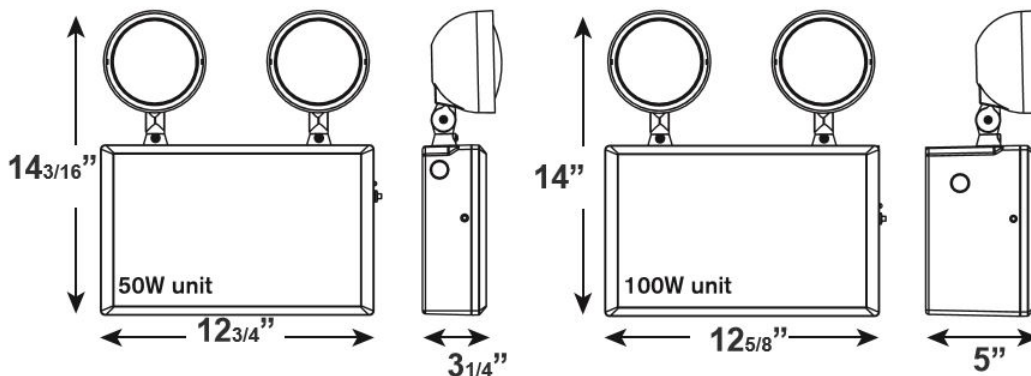
- ◆ Five year warranty on all electronics and housing. Battery prorated for five years
- ◆ Meets UL924, NFPA 101 Life Safety Code, NEC, OSHA, Local and State Codes
- ◆ UL Listed for dry locations (25°C)

**ORDERING DATA**

**EXAMPLE: MEBEMDXR65HTR**

MEBEMDXR	Voltage		Wattage		Options	
Series	6	12	5	10	HTR	20SB
MEBEMDXR Remote Capable Incandescent Emergency Unit	6 Volts	12 Volts	50 Watt	100 Watt	Heater	12V20W Sealed Beam Halogen

**DIMENSIONS**



Dimensions and specifications subject to change without notice.

