

FEATURES & BENEFITS

ILLUMINATION

- ◆ Adjustable long lasting, efficient ultra bright white LED lamp heads
- ◆ One 0.5W white LED per lamp head
- ◆ Unique all inclusive lamp, reflector and lens assembly

ELECTRICAL

- ◆ Dual 120V/277V standard. Optional dual 120V/230V available
- ◆ Unique bi-color LED indicator light alerts occupant on battery condition (Green-normal; Red-check battery)
- ◆ 3.6V long life, maintenance-free, rechargeable Ni-Cd battery
- ◆ Internal solid-state transfer switch automatically connects the internal battery to LED board and LED lamp heads for minimum 90-minute emergency illumination
- ◆ Fully automatic solid-state, two rate charger initiates battery charging to recharge a discharged battery in 24 hours

MOUNTING

- ◆ Surface mount back plate fits most standard size junction boxes and snaps into place
- ◆ Suitable for wall or ceiling mount

HOUSING

- ◆ Injection molded engineering grade, 5VA flame retardant, high-impact, thermoplastic in white or black finish



OPTIONS

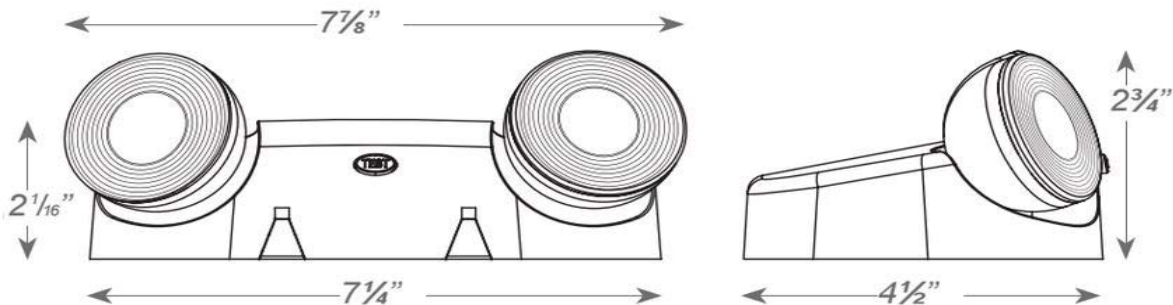
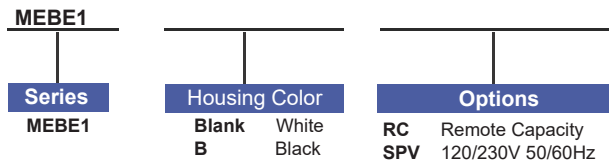
- ◆ SPV: UL Listed for special voltage option

WARRANTY / LISTING

- ◆ One year warranty on all electronics and housing
- ◆ UL Listed for damp locations (0°C - 30°C)
- ◆ Meets UL924, NFPA 101 Life Safety Code, NEC, OSHA, Local and State Codes

ORDERING DATA

EXAMPLE: MEBE1BRC



Dimensions and specifications subject to change without notice.