

ILLUMINATION

- ◆ Long-life, efficient ultra-bright white LED
- ◆ 6 watt (2 LEDs x3.0) per unit
- ◆ Mirror-bright reflector and prismatic polycarbonate refractor
- ◆ Can be used as a Normally-ON or Normally-OFF light as well as on a switched circuit.

ELECTRICAL

- ◆ Universal 120-277VAC voltage
- ◆ Charge rate/power "ON" LED indicator light and push to test switch for mandated code compliance testing
- ◆ 4.8V long-life, maintenance-free, rechargeable NiCd battery
- ◆ Internal solid state transfer switch automatically connects the internal battery to LED board for minimum 90-minute emergency illumination
- ◆ Fully automatic solid-state, two rate charger initiates battery charging to recharge a discharged battery in 24 hours.
- ◆ Self-diagnostic test feature continually diagnoses units performance and tests system to ensure reliable operation and to meet electrical and life safety codes.
- ◆ Field-selectable wiring allows for "AC" operation of the unit to be controlled using a wall switch or photocell or any other switching mechanism.

MOUNTING

- ◆ Surface mount via easy connect back plate that fits most standard size junction boxes.
- ◆ Universal K/O pattern on back plate for wall mount
- ◆ Threaded opening at the top of the enclosure for conduit mount

HOUSING

- ◆ Decorative, low-profile architectural design
- ◆ Die-cast aluminum housing
- ◆ Durable powder-coated finishes in white, black and dark bronze
- ◆ Sealed and gasketed



OPTIONS

- ◆ CW: Optional internal heater for extreme cold temperature applications (-20°C - 50°C)
- ◆ PC: Unit features optional photocell technology that automatically responds to low exterior lighting levels in "AC" mode.

WARRANTY/LISTING

- ◆ Five Year Warranty on all electronics and housing. Battery Pro-rated for five years
- ◆ Meets UL924, NFPA 191 Life Safety Code, Nec, OSHA, Local and State Codes
- ◆ UL listed for wet locations. (0°C-50°C)

ORDERING DATA

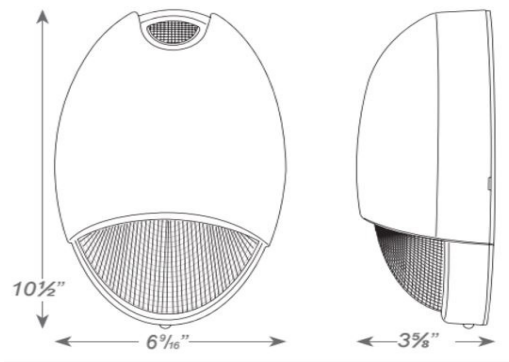
EXAMPLE: MEBDEM-ACEMBKSDCW

MEBDEM-ACEM		SD	
Series	Housing Color	SD	Options
MEBDEM-ACEM LED Emergency Unit	BK Black BZ Dark Bronze WH White NI Nickel	SD Self-Diagnostics (Standard)	CW Cold Weather PC Photocell Sensor

STANDARD



OPTIONAL



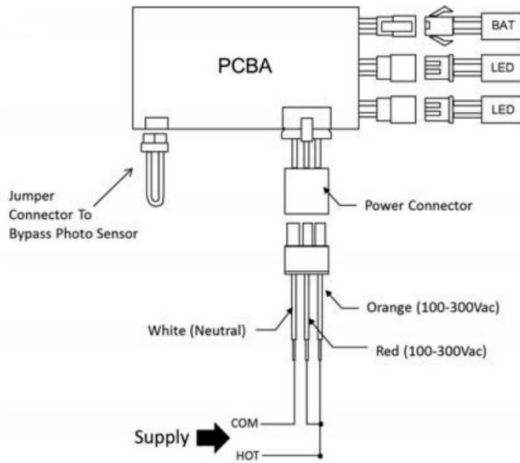
Dimensions and specifications subject to change without notice.

ELECTRICAL INFORMATION

Catalog Number	Input Watts (W)		Input Amps (A)	
	120V	277V	120V	277V
MEBDEM-ACEM-SD (w/AC on)	9.0	8.89	0.131	0.068
MEBDEM-ACEM-SD (w/AC off)	2.04	2.15	0.035	0.022
MEBDEM-ACEM-SD-CW (w/AC on)	18.47	58.89	0.210	0.248
MEBDEM-ACEM-SD-CW (w/AC off)	11.51	52.15	0.114	0.202
MEBDEM-ACEM-SD-PC (w/AC on)	9.0	8.89	0.131	0.068
MEBDEM-ACEM-SD-PC (w/AC off)	2.04	2.15	0.035	0.022
MEBDEM-ACEM-SD-CW-PC (w/AC on)	18.47	58.90	0.210	0.248
MEBDEM-ACEM-SD-CW-PC (w/AC off)	11.51	52.15	0.114	0.202

WIRING DIAGRAM

NORMALLY ON
Unit ON at all times.



NORMALLY OFF
Unit ON only in emergency mode.

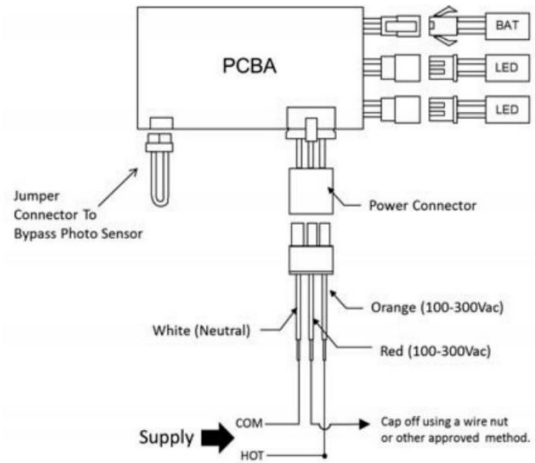
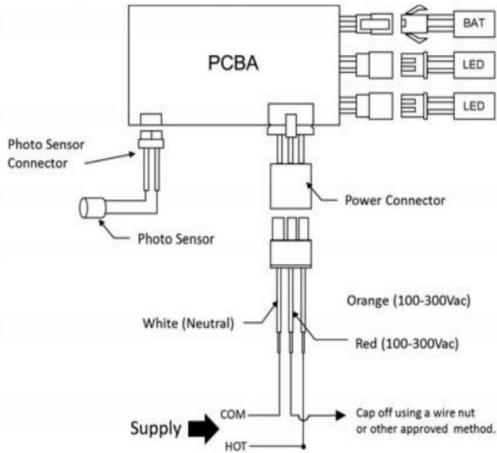


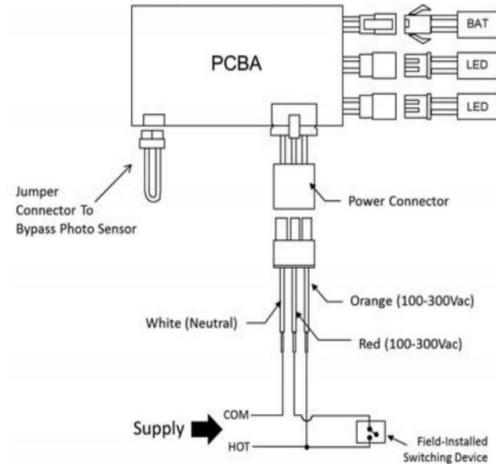
PHOTO SENSOR

Unit ON when there is not enough ambient light; will automatically switch to emergency mode during a power outage.



SWITCHED

Controlled operation in AC mode; will automatically switch to emergency mode during a power outage.



Dimensions and specifications subject to change without notice.