

FEATURES & BENEFITS

ILLUMINATION

- ◆ Ultra-bright, energy efficient, long life red or green LED
- ◆ High performance premium grade, ultra bright white LED lamps
- ◆ 3W (1 LED x 3 watts) per head

ELECTRICAL

- ◆ Dual 120V/277 voltage
- ◆ Charge rate/power "ON" LED indicator light and push-to-test switch for mandated code compliance testing
- ◆ 8.4V long life, maintenance free, rechargeable NiCd battery
- ◆ Internal solid-state transfer switch automatically connects the internal battery to LED board and LED lamp heads for minimum 90-minute emergency illumination
- ◆ Fully automatic solid-state, two rate charger initiates battery charging to recharge a discharged battery in 24 hours
- ◆ Remote capacity available as an option

MOUNTING

- ◆ Aluminum mounting canopy included for top or end mount
- ◆ Universal K/O pattern on back plate for wall mount

HOUSING

- ◆ First premium grade die-cast combo in the market. Unique new design provides spec grade EXIT sign with LED lamp heads in one low profile housing
- ◆ Premium-grade, extruded aluminum housing (also available in black or white finishes)
- ◆ Field selectable knockout chevron directional indicators
- ◆ Quick-snap face plate closure
- ◆ Unique design allows double face conversation in the field

WARRANTY / LISTING

- ◆ Five year warranty on all electronics and housing. Battery pro rated for five years
- ◆ Meets UL924, NFPA 101 Life Safety Code, NEC, OSHA, Local and State Codes
- ◆ UL Listed for damp locations (0°C - 50°C standard)

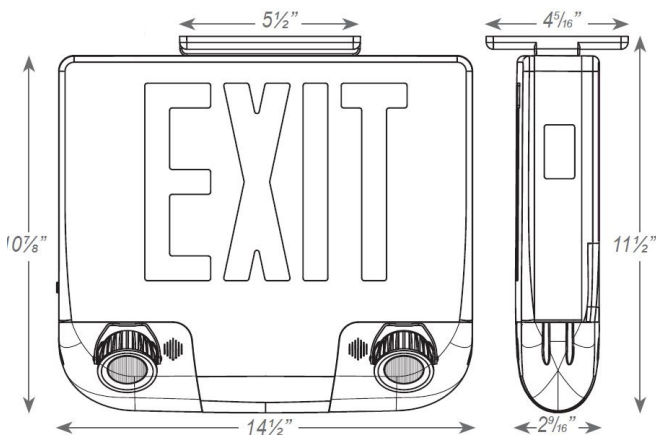


ORDERING DATA

EXAMPLE: MEBCKXTEU1RABEM

| MEBCKXTEU | | | | EM | | |
|--|--|--------------------------------|---|---|--------------------------|---------------------------|
| Series | # of Faces | Letter Color | Housing Color | Face Plate | Battery | Options |
| MEBCKXTEU Die-Cast Aluminum LED Exit & Emergency Combo | 1 Single face 2 Double face 3 Universal Single/Double face | R Red G Green | A Aluminum B Black W White | A Aluminum B Black W White | EM Battery Backup | RC Remote Capacity |

DIMENSIONS



Dimensions and specifications subject to change without notice.



| | | | |
|----------|--|------|--|
| CAT# | | | |
| JOB NAME | | TYPE | |