

FEATURES & BENEFITS

ILLUMINATION

- ◆ Two, 6V/12V adjustable bi-pin halogen lamp heads

ELECTRICAL

- ◆ Dual 120V/277 voltage
- ◆ Charge rate/power "ON" LED indicator light and push-to-test switch for mandated code compliance testing
- ◆ LVD (low voltage disconnect) prevents battery from deep discharge
- ◆ 6V sealed lead acid, maintenance-free, rechargeable battery
- ◆ Internal solid-state transfer switch automatically connects the internal battery to lamp heads for minimum 120-minute emergency illumination
- ◆ Fully automatic solid-state, two rate charger initiates battery charging to recharge a discharged battery in 24 hours
- ◆ Remote capacity of 10W standard on 20W models



MOUNTING

- ◆ Conveniently designed for use with T-bar grid ceilings
- ◆ Holes provided on enclosure for wire-suspension mount

HOUSING

- ◆ Durable 20-gauge steel construction
- ◆ White or black finish

WARRANTY / LISTING

- ◆ Five year warranty on all electronics and housing. Battery pro rated for five years
- ◆ Meets UL924, NFPA 101 Life Safety Code, NEC, OSHA, Local and State Codes
- ◆ Meets City of Chicago requirements
- ◆ UL Listed for damp locations (20°-50°C)

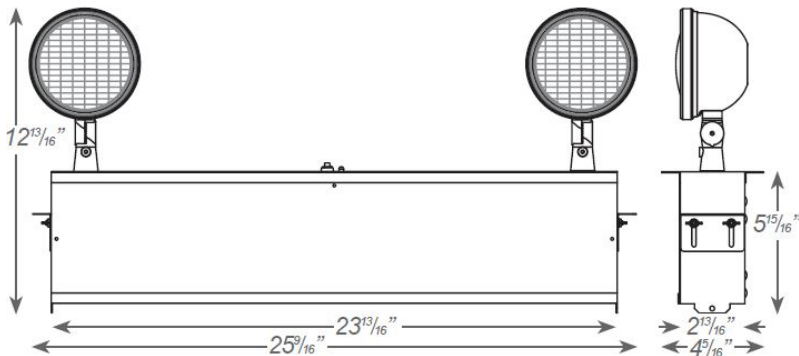
ORDERING DATA

EXAMPLE: MEBCAR627W

MEBCAR		Voltage		Wattage		Housing Color	
Series	MEBCAR	6	6V	27	27 Watts*	W	White
		12	12V	50	50 Watts (10 watt remote)	B	Black

*Available in 6V only

DIMENSIONS



Dimensions and specifications subject to change without notice.



◆ 800-444-WATT ◆ www.mobern.com ◆
8200 Stayton Dr., Ste. 500, Jessup, MD 20794

CAT#			
JOB NAME		TYPE	