

APPLICATIONS

The **MDSH-LED8WP** Series step light is designed with LED lamp permanently installed in the fixture for easier, economical maintenance as of long lasting life of LED lamp.

FEATURES & BENEFITS

- ◆ Illumination is accomplished with long lasting, high output Light Emitting Diodes (LEDs)
- ◆ Cast aluminum housing and trim painted in weather proof white & black or silver.
- ◆ 120V AC input
- ◆ AC only - Input 120V
- ◆ Min CRI 80
- ◆ cCSA_{US} listed for wet locations



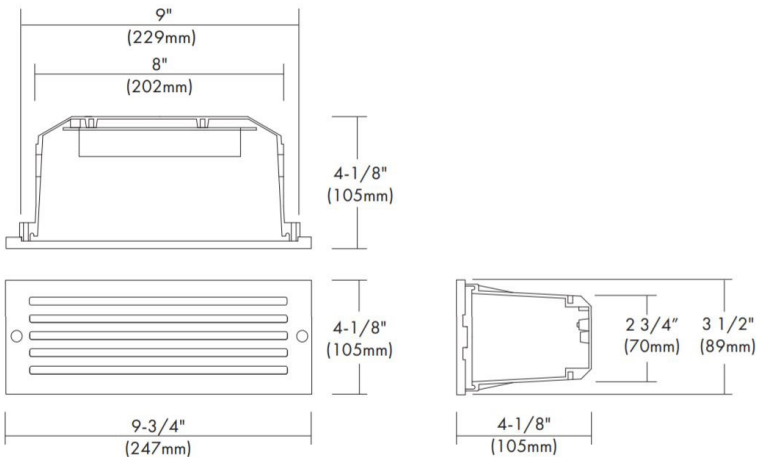
ORDERING DATA

EXAMPLE: MDSHLED8WPMDSST844WH

MDSH-LED8WP

Series	Trims	Finish	Option
MDSHLED8WP LED Step Light	MD-ST844 Louvered MD-ST845 Open MD-ST846 Grill	BK Black SI Silver WH White	HB 24" Hanger Bars

DIMENSIONS



TRIMS



Louvered Face Plate

MDST844WH
MDST844BK
MDST844SI



Open Face Plate

MDST845WH
MDST845BK
MDST845SI



Grilled Face Plate

MDST846WH
MDST846BK
MDST846SI

Dimensions and specifications subject to change without notice.

