

APPLICATIONS

8" flat frame-in kits combined with LED module and integral reflector. This is designed for use in non-insulated ceiling. Insulation material must be kept a minimum of 3" from fixture. Provided in high efficacy LED with dimmable driver and the special optical diffuser allows high lumen transmission and light uniformity.

FEATURES & BENEFITS

Mounting Frame

- ◆ Galvanized steel construction
- ◆ Housing adjusts for ceilings up to 1 1/4" thick

LED Module & Trim

- ◆ Aluminum extruded heat sink designed to facilitate heat dissipation to reduce LED junction temperature for maintaining constant light output, color and life of solid state components.
- ◆ Modular construction includes LED, heat sink and lens
- ◆ Heavy gauge aluminum reflector anodized in clear, haze, gold, champagne and pewter color finish. Reflections may be available with black or white milled groove baffle collar.

Bar Hangers

- ◆ 24" bar hangers provide stability and support on joists and T-bar grid ceilings
- ◆ Housing can be positioned at any point within 24" joist span
- ◆ Score lines allow "toolless" shortening for 12" joists

LED Power Supply Driver

- ◆ 120-277V input high efficiency drivers with the ability to dim by 1) Triac 120V low voltage electronic dimmer switches 2) 0-10V dimmer switches
- ◆ Driver feature power factor >.90, THD <20% and has integral thermal protection to sense over temperature and electrical issues
- ◆ Driver mounts externally to the module, allowing future replacement, if needed
- ◆ Consult with factory for optional 0-10V analog dimmable driver.



Junction Box

- ◆ Listed for through branch circuit wiring. (Max. 8 No 12 AWG 90°C branch circuit conductors. (4 in, 4 out)
- ◆ (5) 1/2" knockouts with true pry-out slots and (4) knockouts with Romex cable clamp.
- ◆ Ground wire provided on J-box.

Options

- ◆ Emergency battery backup; Available in mounted to fixture or remote adjacent to luminaire (consult with factory for exact application)

Warranty

- ◆ LED Module 5 years
- ◆ Driver 3 years

Listing

- ◆ cETL_{US} Listed wet location
- ◆ State of California Title 24
- ◆ Energy Star Approved & Listed



*Provided: Easy-quick connector case (patent pending)

HOUSING ORDERING DATA

EXAMPLE: MDLEDH-CFK81430UTD

MDLEDH-CFK8

Series	Wattage/Lumens	CRI	Color Temp	Driver	Options
MDLEDH-CFK8	14 14 Watts 960 Lumens 23 23 Watts 1760 Lumens 30 30 Watts 2280 Lumens 45 45 Watts 3340 Lumens*	8 80 CRI 9 90 CRI	27 2700K 30 3000K 35 3500K 40 4000K	UTD 120-277V Triac Dimming (14,23,30 Watt only) UZTD 120-277V 0-10V Dimming**	EM Emergency battery backup

*Only available w/ UZTD Driver option

** Only available w/ 45 Watt option

120V Triac Approved Dimmers

*Lutron: NovaT (Ntelv 300 & 600 Diva (Dvelv-300P & 303P)

*Leviton: Acenti: Ate06-1Lw

*Leviton Trimatron #705W (incandescent)

0-10V Approved Dimmers

*Lutron: Nova® 0-10V:NTFTV

Divas® 0-10V: DVTV

*Leviton: Decora 0-10V: IP710DL

Consult factory for additional dimmers

Dimensions and specifications subject to change without notice.



◆ 800-444-WATT ◆ www.mobern.com ◆
8200 Stayton Dr., Ste. 500, Jessup, MD 20794

CAT#	
JOB NAME	
TYPE	

TRIMS *Wide beam reflector is standard. Also available in narrow beam in reflector. (Consult w/factory)



MDLEDT-R84
Specular Open
Reflector

MDLEDT-R814
Baffle w/Reflector

MDLEDT-R841
Baffle w/
Regressed Lens

MDLEDT-R822
Reflector w/
Regressed Lens

MDLEDT-R836
Wall Wash w/
Kick-off Plate

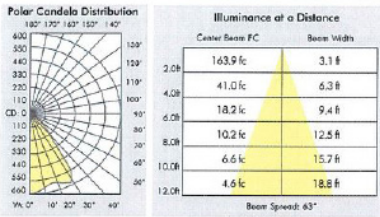
MDLEDT-R840
Reflector w/
Frosted Floating Lens

TRIM ORDERING DATA

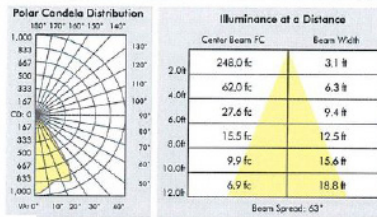
EXAMPLE: MDLEDT-R84HC

Trim	Reflector Finish	Baffle Finish	Metal Ring Finish
MDLEDT-R84 MDLEDT-R814 MDLEDT-R841 MDLEDT-R822 MDLEDT-R836 MDLEDT-R840	HC Haze Clear WH White Painted *Consult with factory for custom finishes	WH White BK Black *LEDT-R814 & R841 only	Blank White Plastic Ring (std) WH White SN Satin Nickel CH Chrome SF Polished Self Flange (For open and wall wash reflectors only)

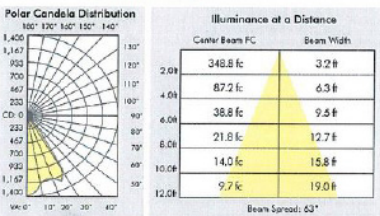
PHOTOMETRIC REPORT



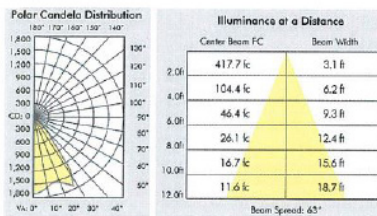
MDLEDH-CFK814



MDLEDH-CFK823

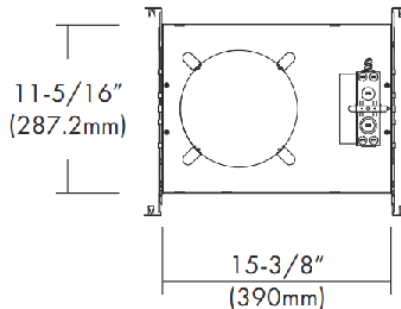
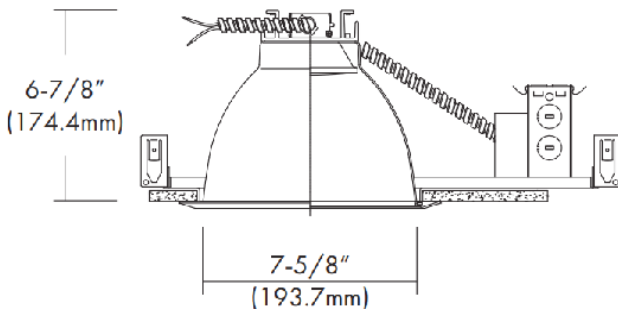


MDLEDH-CFK830



MDLEDH-CFK845

DIMENSIONS



Ceiling Cut-out : 8" - 1/8"

Dimensions and specifications subject to change without notice.



♦ 800-444-WATT ♦ www.mobern.com ♦

8200 Stayton Dr., Ste. 500, Jessup, MD 20794

CAT#

JOB NAME

TYPE