

### FEATURES & BENEFITS

#### LED Module

- ◆ Durable extruded aluminum heat sink is integrated with the LED COB (chip on board)
- ◆ Inner reflector enables even distribution with excellent uniformity

#### Reflector

- ◆ Anodized haze clear and white painted finishes. Optional baffle style reflectors are also available

#### Housing

- ◆ Round, .060" thick spun aluminum housing available in semi-matte white, black, bronze, or silver

#### Heat Sink

- ◆ Extruded aluminum heat sink computer designed for superior thermal management to ensure constant light output, color, and life of solid state engine components

#### LED Power Supply Driver

- ◆ Universal 120-277V input, high efficacy drivers with dimming capability by either triac 120V low voltage electronic dimmer switches or 0-10V triac and ELV dimmer switches
- ◆ Drivers feature power factor >.90, THD <20% with integral thermal protection to sense over temperature or electrical issues
- ◆ Driver mounts externally to the LED module for thermal isolation and allows for easy maintenance if needed
- ◆ Optional Lutron Hi-Lume A-Series, LED drivers and EcoSystem 5-Series LED drivers are available. Lutron drivers provide flicker-free, smooth, continuous dimming down to 1% for Hi-lume and 5% for EcoSystem. (contact factory for dimming system requirements)



#### Wall Bracket (MDLEDH-SR6W)

- ◆ Cast aluminum bracket easily secures to housing's cross-bar with set screws

#### Limited Warranty

- ◆ LED module 5 years/50K hours
- ◆ Product/Driver 3 year warranty

#### Listing

- ◆ Energy star listed

### HOUSING ORDERING DATA

EXAMPLE: MDLEDH-SR6C14827UTDBK

Series	Pendant Style/Length	Color Temp	Driver	Finish	Options
MDLEDH-SR6	<b>Place Style Before Length (Blank)</b> Standard Pendant S Swivel Mount  <b>Pendant Stem Lengths</b> 12 12 inches 18 18 inches 24 24 inches 36 36 inches 48 48 inches  <b>Cable and Cord Lengths</b> C32 32 inches C58 58 inches C108 108 inches C128 128 inches	<b>CR</b> 27 2700K 30 3000K 35 3500K 40 4000K  <b>Wattage/Lumens</b> 14 14 Watts 960 Lumens 23 23 Watts 1760 Lumens 30 30 Watts 2280 Lumens	UTD 120-277V Triac Dimming (14,23,30 Watt only)  UZTD 120-277V 0-10V Dimming  L1D Lutron Hi-Lume 1% Dimming  L5D Lutron EcoSystem 5% Dimming	BK Black BZ Bronze SI Silver WH White	DOB 120VAC driver on board EM Emergency battery backup

#### 120V Triac Approved Dimmers

- \* Lutron: NovaT(Ntelv 300 & 600)  
Diva (Dvelv-300P & 303P)
- \* Leviton: Acenti: Ate06-1Lw
- \* Leviton: 705W(Incandescent)

\* Consult Factory for additional dimmers.

Dimensions and specifications subject to change without notice.



◆ 800-444-WATT ◆ www.mobern.com ◆  
8200 Stayton Dr., Ste. 500, Jessup, MD 20794

CAT#	
JOB NAME	TYPE

### TRIMS

\* Wide beam reflector is standard. Also available in narrow beam in reflector (consult with factory).



### TRIM ORDERING DATA

### EXAMPLE: MDLEDT-R64HC

Trim	Reflector Finish	Baffle Finish <sup>1</sup>	Reflector Collar <sup>2</sup>	Lens <sup>3</sup>
MDLEDT-R64	HC Haze Clear	WH White	CL Clear	FR Fresnel
MDLEDT-R614	WH White Painted	BK Black		
MDLEDT-R641				
MDLEDT-R622				
MDLEDT-R636				

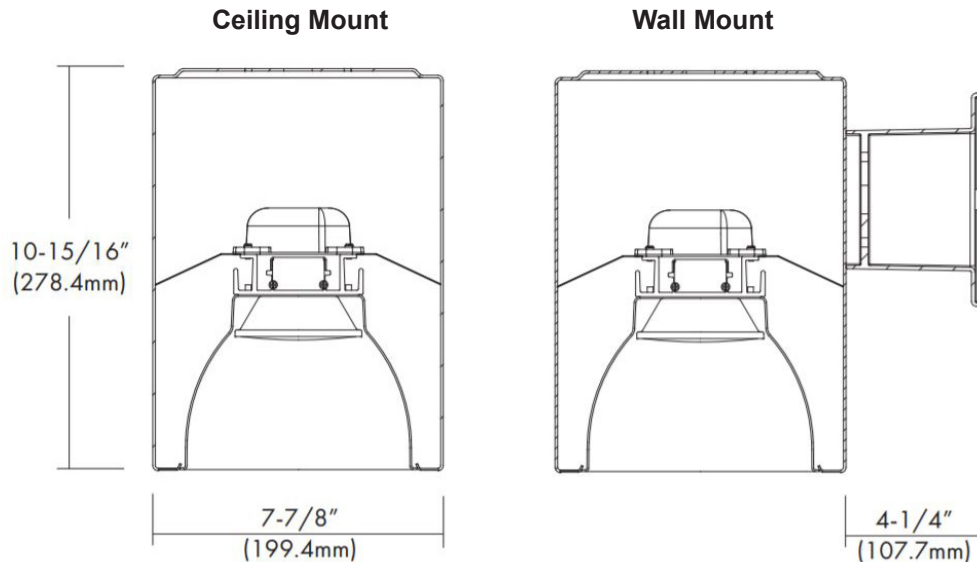
#### NOTES:

<sup>1</sup>MDLEDT-R614 & R641 only

<sup>2</sup>MDLEDT-R622 only

<sup>3</sup>MDLEDT-R641 & R622 only

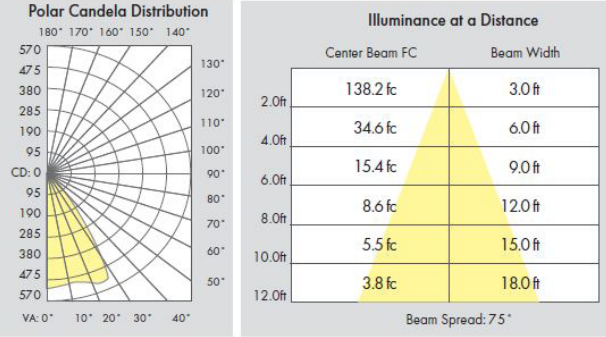
### Dimensions



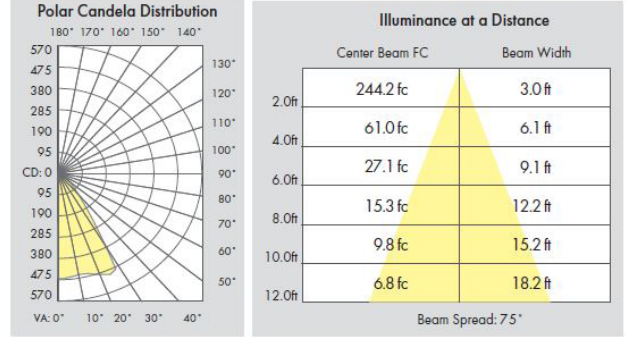
Dimensions and specifications subject to change without notice.



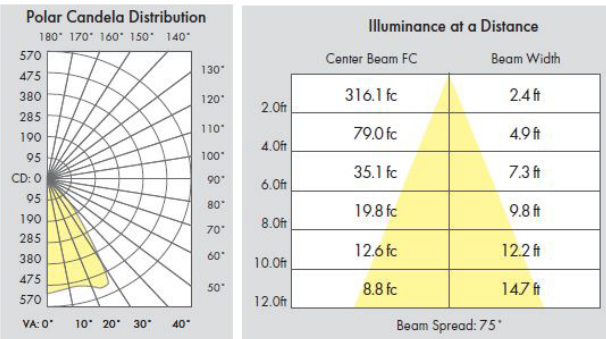
### PHOTOMETRIC REPORT



[MLEDH-SR6C/SR6W/SR6P-14]



[MLEDH-SR6C/SR6W/SR6P-23]



[MLEDH-SR6C/SR6W/SR6P-30]

Dimensions and specifications subject to change without notice.

