

APPLICATIONS

The MDLEDH-RT56ICA is a 6" IC/AIR TIGHT rated down light housing. This easy to install housing is designed for use in remodeling applications with insulated ceilings. The housing is designed to be used with Lum-Tech's 56 and 6" Retrofit kits and gives you a choice of seven versatile DOB kits for your projects.

FEATURES & BENEFITS

HOUSING

- ◆ Single wall aluminum housing gasketed for IC/Air-Tight ratings in insulated ceilings
- ◆ Housing can be adjusted for ceiling thicknesses up to 1 1/4"

JUNCTION BOX

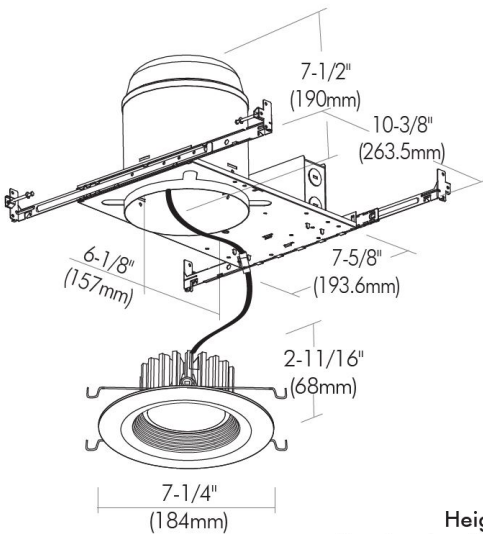
- ◆ Listed for through branch circuit wiring (Max. 9, 12 AWG, 90°C wires)
- ◆ (5) 1/2" knockouts with pry-out slots and (4) knockouts with Romex cable clamps
- ◆ Ground wire provided on J-box
- ◆ Provided with listed ZE genderless quick connectors for easy wiring to Mobern retrokits



Compatible Mobern LED DoB Retrokits

- *MDLED-AFR56: 120VAC LED DoB 5" and 6" Recessed Diecast Retrokit
- *MDLEDRT-LFR56: 120VAC LED DoB 5" and 6" Recessed Retrokit
- *MDLEDRT-LFR6: 120VAC LED DoB 6" Recessed Retrokit
- *MDLEDRT-LFR6DC: 120VAC LED DoB 6" Recessed Diecast Retrokit
- *MDLED-AFC6: 120VAC LED DoB 6" Recessed Retrokit with Interchangeable Trims
- *MDLED-AF6E: 120VAC LED DoB 6" Recessed Eyeball Retrokit
- *MDLED-LF6AD: 120VAC LED DoB 6" Recessed Gimbal Retrokit

DIMENSIONS



Height : 7-1/2"
Housing Aperture : 6-1/8"
Ceiling Cut-out : 6-1/2"

Dimensions and specifications subject to change without notice.