

APPLICATIONS

Our 9" architectural frame-in kit with LED module and integral reflector is designed for use in non-insulated ceilings. Insulation material must be kept a minimum of 3" from the fixture. The high efficiency LED module combined with a specially designed optical reflector provides high transmission and uniform light distribution.

FEATURES & BENEFITS

Junction Box

- ◆ Listed for through branch circuit wiring. (Max.8 No 12 AWG 90°C branch circuit conductors (4 in, 4 out).
- ◆ (5)1/2" knockouts with true pry-out slots and (4) knockouts with Romex cable clamp.
- ◆ Ground wire provided on J-box.

Mounting Channel Bracket

- ◆ Commercial mounting kit provides up to 5" vertical adjustment which accommodates 1/2" EMT conduit, optional A-MDHB-24 or A-MDHBC-24 bar hanger or lathing channels for T-bar grid or concealed spline ceiling.

Mounting Ring

- ◆ 20 gauge CRS mounting ring, black painted. 1 5/8" deep collar may be used for various thickness of ceiling materials.

LED Module & Trim

- ◆ Aluminum extruded heat sink designed to facilitate heat dissipation to reduce LED junction temperature for maintaining constant light output, color and life of solid state components.
- ◆ Module construction includes LED, heat sink and lens.
- ◆ Heavy gauge aluminum reflector anodized in clear, haze, gold, champagne and pewter color finish. Reflectors may be provided with black or white milled groove baffle collar.



Warranty

- ◆ LED module 5 year warranty
- ◆ Driver 3 year warranty

LED Engine

- ◆ COB(Chip on board) LED package.
- ◆ Heat sink designed by computer simulation and aluminum board for low heat operation.
- ◆ Lumen Maintenance: L₇₀/50,000 hours
- ◆ Electrical Connection: LED lamp module is replaceable via on-board quick disconnect terminal (No tools required).

LED Driver

- ◆ 120~277V input high efficiency driver
- ◆ Triac Dimming on 120VAC only
- ◆ Power factor >.90, THD <20% and has integral thermal protection
- ◆ Driver mounts externally to the module, allowing future replacement if needed.

Listing

- ◆ cETL_{us} Listed
- ◆ State of California Title 24
- ◆ Energy star listed

HOUSING ORDERING DATA

EXAMPLE: MDLEDH-AFK914827UTD

Series	Watts	CRI	Color Temperature	Driver	Options
MDLEDH-AFK9	14 14 Watts	8 80CRI	27 2700K	UTD Triac Dimming (120-277V)	EM Emergency battery back-up
	23 23 Watts	9 90CRI	30 3000K		
	30 30 Watts		35 3500K	UZTD 0~10V Dimming (120-277V)**	
	45 45 Watts*		40 4000K		

*Only available w/ UZTD Driver option

** Only available w/ 45 Watt option

SPECIFICATION	
Input Voltage	120-277VAC
Wattage (+/-5%)	14W 23W 30W 45W
Lumen (+/-5%)	935 1,700 2,195 3,370
Efficacy (LPW)	66.8 73.9 73.2 74.9
Beam Angle	63.2° 66.5° 66.6° 63.3°
CRI (Typical)	80, 90
CCT (Color +/-5%)	2700K, 3000K, 3500K, 4000K
Dimming	0-10V, ELV & TRIAC Optional Lutron Drivers
LED Module	5 yr/50K hr
Environment	Wet Location

120V Triac Approved Dimmers

* Lutron: NovaT(Ntelv 300 & 600)
Diva (Dvelv-300P & 303P)

* Leviton: Acenti: Ate06-1Lw

* Leviton: 705W(Incandescent)

* Consult Factory for additional dimmers.

* Provided: Easy-quick connector case (patent pending)



Dimensions and specifications subject to change without notice.



◆ 800-444-WATT ◆ www.mobern.com ◆

8200 Stayton Dr., Ste. 500, Jessup, MD 20794

CAT#

JOB NAME

TYPE

TRIM

* Wide beam reflector is standard. Also available narrow beam in reflector(consult with factory).



MDLEDT-R94
Specular Open Reflector



MDLEDT-R914
Baffle w / Reflector



MDLEDT-R941**
Baffled Lens w / Reflector

*All trims are rated for damp location and regressed lens trims are wet location listed.

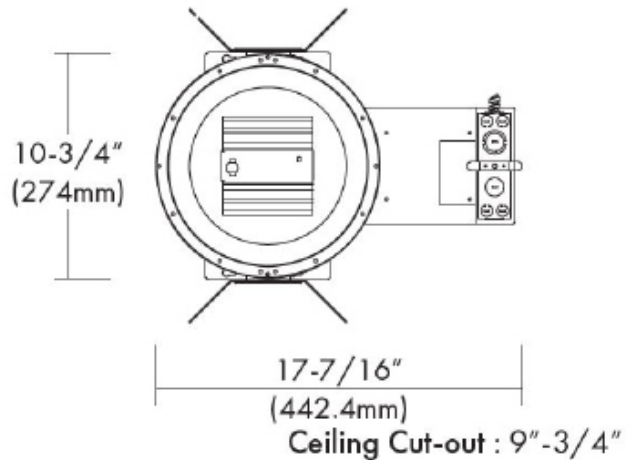
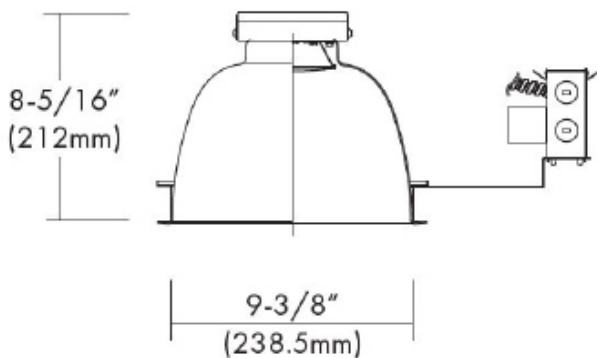
**Wet Location

TRIM ORDERING DATA

EXAMPLE: MDLEDT-R941HCWHWH

Trim	Reflector Finish*	Baffle Finish**	Metal Ring Finish***
MDLEDT-R94	HC Haze Clear	WH White	WH White plastic ring (std)
MDLEDT-R914	WH White painted	BK Black	WMR White metal ring
MDLEDT-R941			SN Satin Nickel
	*Consult factory for custom finishes	**For MDLEDT-R914 MDLEDT-R941	CH Chrome
			SF Polished self-flange (For open or wall wash reflectors only)
			***Optional

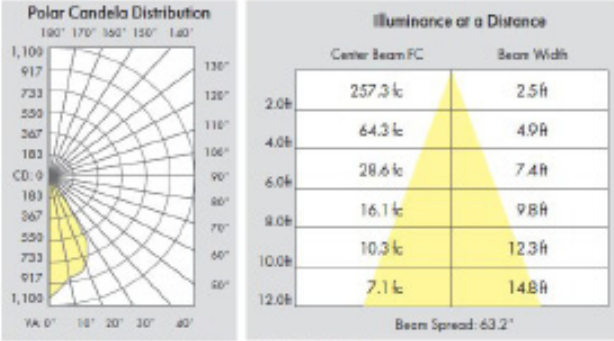
Dimensions



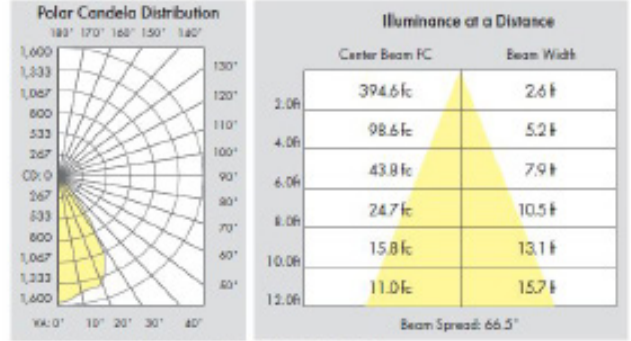
Dimensions and specifications subject to change without notice.



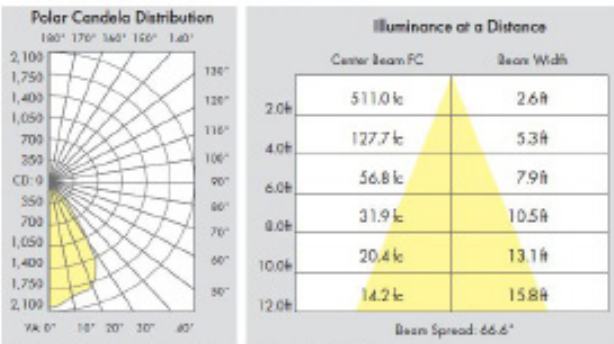
Photometric Report



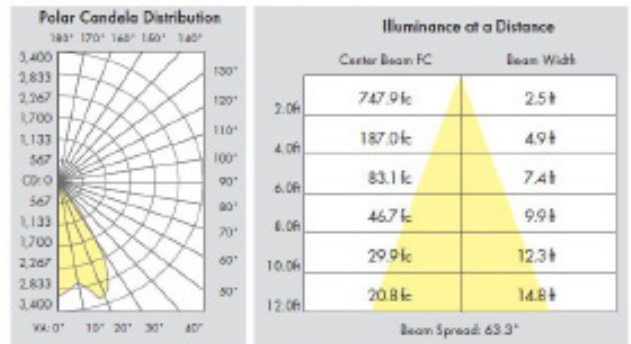
MDLEDH-AFK9-14-830+MDLEDT-R94



MDLEDH-AFK9-23-830+MDLEDT-R94



MDLEDH-AFK9-30-830+MDLEDT-R94



MDLEDH-AFK9-45-830+MDLEDT-R94

Dimensions and specifications subject to change without notice.



◆ 800-444-WATT ◆ www.mobern.com ◆

CAT#

JOB NAME

TYPE