

APPLICATIONS

6" architectural frame-in kits combined with LED module and integral reflector. This is designed for use in non-insulated ceiling. Insulation material must be kept a minimum of 3" from fixture. Provided in high efficacy LED with dimmable driver and the special optical diffusion allows high lumen transmission and light uniformity.

FEATURES & BENEFITS

Junction Box

- ◆ Listed for through branch circuit wiring. (Max.8 No 12 AWG 90°C branch circuit conductors (4 in, 4 out).
- ◆ (5)1/2" knockouts with true pry-out slots and (4) knockouts with Romex cable clamp.
- ◆ Ground wire provided on J-box.

Mounting Channel Bracket

- ◆ Commercial mounting kit provided up to 5" vertical adjustment which accommodates 1/2" EMT conduit, optional HB-24 or HBC-24 bar hanger or lathing channels for T-bar grid or concealed spline ceiling.

Mounting Ring

- ◆ 20 gauge CRS mounting ring, black painted. 1 5/8" deep collar may use for various thickness of ceiling materials.

LED Module & Trim

- ◆ Aluminum extruded heat sink designed to facilitate heat dissipation to reduce LED junction temperature for maintaining constant light output, color and life of solid state components.
- ◆ Module construction includes LED, heat sink and lens.
- ◆ Heavy gauge aluminum reflector anodized in clear, haze, gold, champagne and pewter color finish. Reflectors may provide with black and white milled groove baffle collar.

Listing

- ◆ ETL &cETL Listed
- ◆ State of California Title 24
- ◆ Energy star Approved & Listed

Warranty

- ◆ 50,000hr of LED life



LED Engine

- ◆ COB(Chip on board) LED package.
- ◆ Heat sink designed by computer simulation and aluminum board for low heat operation.
- ◆ Lumen Maintenance: L70/50, 70% lumens/50,000 hours
- ◆ Electrical Connection: LED lamp module is replaceable via on-board quick disconnect terminal (No tools required).

LED Power Supply Driver

- ◆ Include 120~277V input high efficacy driver with the capability to dim using a Triac 120V low voltage electronic dimmer switch.
- ◆ Driver feature power factor >.90, THD <20% and has integral thermal protection to sense over temperature or internal failure.
- ◆ Driver mounts externally to the module, allowing future replacement if needed.
- ◆ Consult with factory for optional 0~10V analog dimmable driver.

Options

- ◆ Emergency battery back-up: Available in mounted to fixture or remote adjacent to luminaire (consult with factory for exact application)

ORDERING DATA

EXAMPLE: MDLEDH-AFK61430UTD

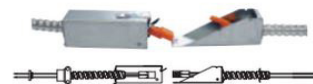
Series	Watts	Kelvin Temperature		Driver	
MDLEDH-AFK6	14 14 Watts	30	3000K	UTD	Triac Dimming (120-277V)
	23 23 Watts	35	3500K		
	30 30 Watts	40	4000K	UZTD	0~10V Dimming (120-277V)**
	45 45 Watts*				
*Only available w/ UZTD Driver option				** Only available w/ 45 Watt option	

Specifications	
LED Quantity	1EA (COB)
Input Voltage	120V~277V AC
CRI (Typical)	80
Beam Angle	75°
Dimming	Triac(Standard)
Lamp Life	50,000hr
Environment	Damp, Wet

120V Triac Approved Dimmers

- * Lutron: NovaT(Ntelv 300 & 600)
Diva (Dvelv-300P & 303P)
- * Leviton: Acenti: Ate06-1Lw
- * Leviton: 705W(Incandescent)
- * Consult Factory for additional dimmers.

* Provided: Easy-quick connector case (patent pending)



Dimensions and specifications subject to change without notice.

TRIM * Wide beam reflector is standard. Also available narrow beam in reflector(consult with factory).

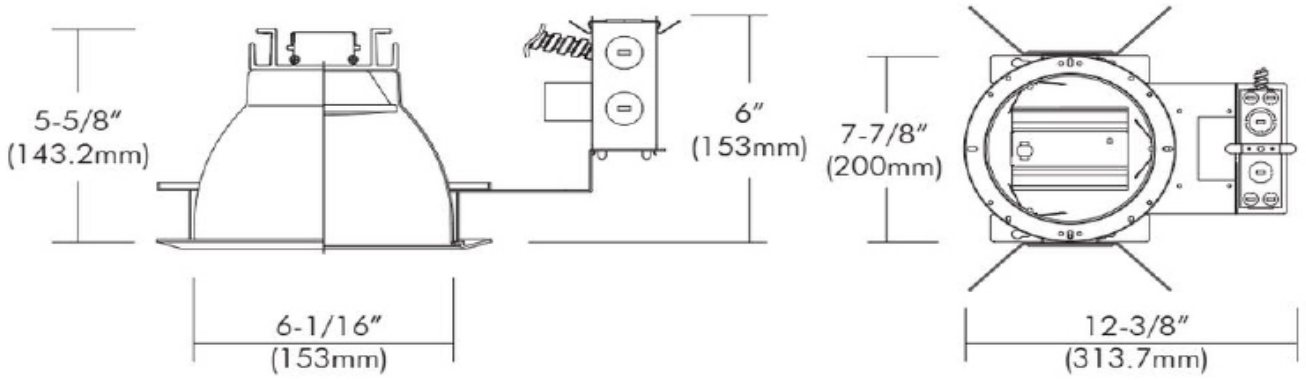


*All trims are rated for damp location and regressed lens trims are wet location listed.

TRIM ORDERING DATA EXAMPLE: MDLEDT-R64HCWH

Trim	Reflector Finish	Baffle Finish*	Metal Ring Finish*
MDLEDT R64	HC Haze Clear	WH White	Blank White
MDLEDT R614	WH White painted	BK Black	White plastic ring (std)
MDLEDT R641			WH White
MDLEDT R622	*Consult factory for custom finishes	*For LEDT-RG14 LEDT-R641	SN Satin Nickel
MDLEDT R636			CH Chrome
MDLEDT R640			SF White

Dimensions



Ceiling Cut-out : 6-1/2"

Dimensions and specifications subject to change without notice.

◆ 800-444-WATT ◆ www.mobern.com ◆

8200 Stayton Dr., Ste. 500, Jessup, MD 20794

CAT#	
JOB NAME	TYPE