

### APPLICATIONS

The MDLED-ARFK8 is an architectural grade, LED recessed downlight retrofit kit and is available with multiple trim styles. It is designed for used with existing Mobern 8" Architectural Incandescent, Fluorescent and Metal Halide Housings. It is also compatible with most 8" architectural housings measuring at least 6 7/8" high with an inside diameter between 8" and 8 3/4". Available with a 14W, 23W, 30W, or 45W high efficacy LED engine and universal, dimmable drivers. The optical diffuser produces high lumen transmission and even illumination.



### FEATURES & BENEFITS

#### Reflector

- ◆ Heavy gauge aluminum reflectors available in various styles and finishes

#### Heat Sink

- ◆ Painted, extruded aluminum heat sink designed to facilitate efficient heat dissipation for superior thermal management and reliability.

#### LED Driver

- ◆ Universal, 120-277V input, high efficacy drivers with dimming capability by 1) Triac 120V low voltage electronic dimmer switches or 2) 0-10V, Triac & ELV dimmer switches.
- ◆ Drivers feature power factor <.90, THD <20% with integral thermal protection to sense over temperature or electrical issues.
- ◆ Driver mounts externally to the module to allow future replacement or upgrading if desired.

#### Electrical Connection

- ◆ Attach driver supply line to existing junction box through one of the knockouts provided in junction box. The existing socket whip and ballast (if any) can be set aside above the ceiling or removed completely. Connect Quick Connector from LED module to driver output connector and lock the two connector housings together.

#### Retrofit Mounting

- ◆ Designed for use with most existing 6 3/8" - 7 1/4" aperture architectural incandescent, fluorescent and metal halide housings. Supplied with flexible metal conduit for connection to existing electrical junction box. Existing frame-in kit mounting is via friction springs or clips.

#### Options

- ◆ Emergency battery back-up: Available in mounted to fixture or remote adjacent to luminaire (consult with factory for space requirements)

#### Limited Warranty

- ◆ LED module: 5 years/50K hours
- ◆ Product/Driver: 3 years

#### Listing

- ◆ cETL<sub>us</sub> Wet Location
- ◆ California Title 24
- ◆ Energy star Approved & Listed

\* Provided: Easy-quick connector case (patent pending)



### ORDERING DATA

EXAMPLE: MDLED-ARFK814830UTD

MDLED-ARFK8

Series	Watts/Lumens	CRI	Color Temp	Driver	Options
MDLED-ARFK8	14 14 Watts 960 Lumens	8 80 CRI	27 2700K	UTD 120-277VAC, Triac 10-100% Dimming (14, 23, 30 Watt only)	EM Emergency Battery Backup
	23 23 Watts 1760 Lumens	9 90 CRI	30 3000K		
	30 30 Watts 2280 Lumens		35 3500K	UZTD 120-277V, 0-10V, Triac & ELV: 1-100% Dimming	
	45 45 Watts 3340 Lumens		40 4000K		

\*Consult for other options

#### 120V Triac Approved Dimmers

- \* Lutron: NovaT(Ntelv 300 & 600)  
Diva (Dvelv-300P & 303P)
- \* Leviton: Acenti: Ate06-1Lw
- \* Leviton: Trimatron #705W (incandescent)

#### 0-10V Approved Dimmers

- \* Lutron: Nova@ 0-10V: NTFTV  
Diva@ 0-10V: DVTV
- \* Leviton: Decora 0-10V: IP710DL

See next page for trim ordering data

Dimensions and specifications subject to change without notice.



◆ 800-444-WATT ◆ www.mobern.com ◆  
8200 Stayton Dr., Ste. 500, Jessup, MD 20794

CAT#

JOB NAME

TYPE

### TRIM

\*Wide beam reflector is standard. Also available in narrow beam in reflector (Consult w/ factory)



**MDLEDT-R84**  
Specular Open Reflector

**MDLEDT-R814**  
Baffle w / Reflector

**MDLEDT-R841**  
Baffle w / Regressed Lens

**MDLEDT-R822**  
Reflector w / Regressed Lens

**MDLEDT-R836**  
Wall Wash w / Reflector Plate

**MDLEDT-R840**  
Reflector w / Frosted Floating Lens



**MDLEDT-R850**  
Reflector with Frosted 3.5" Center Hole Lens

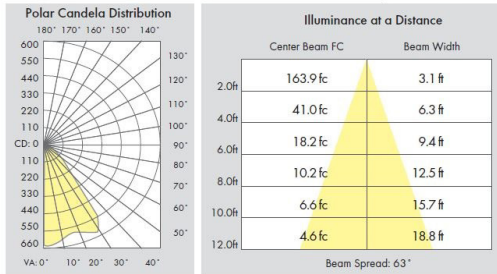
\*All trims are rated for damp location and regressed lens trims are wet location listed.

### TRIM ORDERING DATA

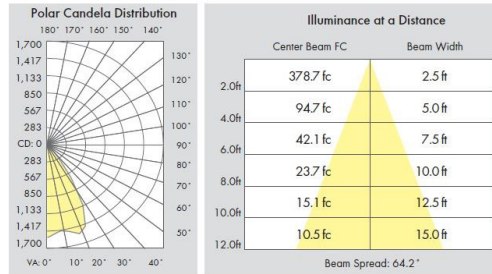
EXAMPLE: MDLEDT-R84HCWH

Trim	Reflector Finish*	Baffle Finish R841 & R814 only	Metal Ring Finish
MDLEDT-R84	HC Haze Clear	WH White	WH White plastic ring (std)
MDLEDT-R814	WH White painted	BK Black	WMR White Metal Ring
MDLEDT-R841			SN Satin Nickel
MDLEDT-R822	*Consult factory for other finishes		CH Chrome
MDLEDT-R836			SF Polished self-flange (for Open or Wall Wash Reflectors Only)
MDLEDT-R840			
MDLEDT-R850			

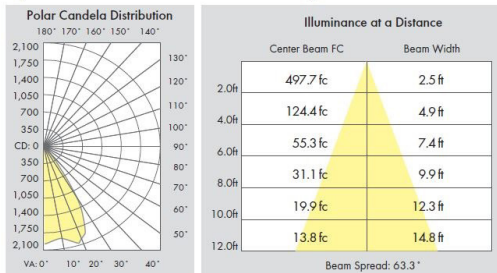
### PHOTOMETRIC REPORT



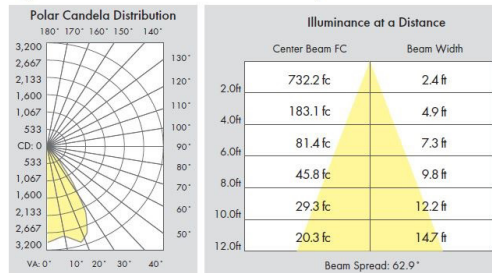
[MDLED-ARFK8-14-830+MDLEDT-R84]



[MDLED-ARFK8-23-830+MDLEDT-R84]



[MDLED-ARFK8-30-830+MDLEDT-R84]



[MDLED-ARFK8-45-830+MDLEDT-R84]

Dimensions and specifications subject to change without notice.



800-444-WATT ♦ www.mobern.com ♦

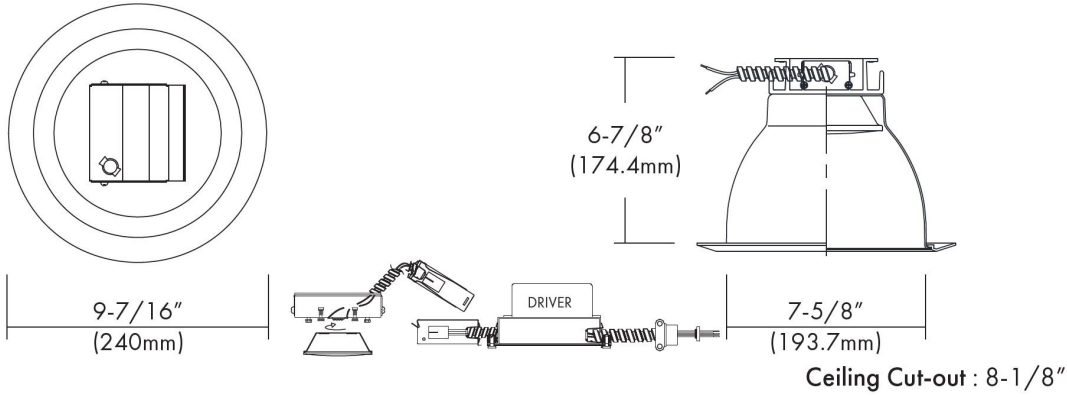
8200 Stayton Dr., Ste. 500, Jessup, MD 20794

CAT#

JOB NAME

TYPE

**DIMENSIONS**



Dimensions and specifications subject to change without notice.

