

APPLICATIONS

The MDLED-ARFK6 is an architectural grade, Non-IC, LED recessed downlight retrofit kit and is available with multiple trim modules. It is designed for use with existing Mobern 6" Architectural Incandescent, Fluorescent and Metal Halide Housings. It is also compatible with most 6" architectural housings measured at 5 5/8" high with an inside diameter between 6 3/8" and 7 1/4". Available with a 14W, 23W, 30W, or 45W high efficacy LED engine and universal dimmable drivers. The optical diffuser produces high lumen transmission and even illumination. Suitable for wet location.

FEATURES & BENEFITS

LED Module & Trim

- ◆ Painted, extruded aluminum heat sink, designed to facilitate efficient heat dissipation for superior thermal management and reliability.
- ◆ LED engine includes LED, heat sink and lens assembly
- ◆ Heavy gauge aluminum reflector anodized in clear haze or white paint finishes. Multiple trim styles and finishes available

LED Driver

- ◆ Universal, 120-277V input, high efficacy drivers with dimming capability by 1) a Triac 120V low voltage electronic dimmer switches or 2) 0-10V, Triac & ELV dimmer switches.
- ◆ Drivers feature power factor <.90, THD <20% with integral thermal protection to sense over temperature or electrical issues.
- ◆ Driver mounts externally to the module to allow future replacement or upgrading if desired.

Electrical Connection

- ◆ Attach supply line to existing junction box through one of the knockouts provided in junction box. The existing socket whip and ballast can be set aside above the ceiling or removed completely.

Retrofit Mounting

- ◆ Designed for use with most existing 6 3/8" ~ 7 1/4" aperture architectural incandescent, fluorescent and metal halide housings. Supplied with flexible metal conduit for connection to existing electrical junction box. Existing frame-in kits mounting via friction springs or clips.



Options

- ◆ Emergency battery back-up: Available in mounted to fixture or remote adjacent to luminaire (consult with factory for space requirements)

Limited Warranty

- ◆ LED module: 5 years/50K hours
- ◆ Product/Driver: 3 years

Listing

- ◆ cETL Wet Location
- ◆ State of California Title 24
- ◆ Energy star Approved & Listed

* Provided: Easy-quick connector case (patent pending)



ORDERING DATA

EXAMPLE: MDLEDH-ARFK61430UTDMDLEDTHCWHSN

MDLEDH-
ARFK6

Series	Watts	Color Temp	Driver	Trim	Reflector Finish	Baffle Finish*	Metal Ring Finish*
MDLED-ARFK6	14 14 Watts	27 2700K	UTD 120-277VAC, Triac 10-100% Dimming (14, 23, & 30W only)	MDLEDT R64 MDLEDT R614 MDLEDT R641 MDLEDT R622 MDLEDT R636 MDLEDT R640	HC Haze Clear WH White painted	WH White BK Black	WH White plastic ring (std) WMR White Metal Ring SN Satin Nickel CH Chrome SF Polished self-flange
	23 23 Watts	30 3000K					
	30 30 Watts	35 3500K	UZTD 120-277V, 0-10V, Triac & ELV: 1-100% Dimming**		*Consult factory for custom finishes		
	45 45 Watts*	40 4000K					

*Only available w/ UZTD Driver option

* Option -EM: Emergency battery backup

** Only available w/ 45 Watt option

Triac Approved Dimmers

- * Lutron: NovaT(Ntelv 300 & 600)
Diva (Dvelv-300P & 303P)
- * Leviton: Acenti: Ate06-1Lw
- * Leviton Trimatron #705W (incandescent)

0-10V Approved Dimmers

- * Lutron: Nova® 0-10V: NTFTV
Diva® 0-10V:
- DVTV
- * Leviton: Decora 0-10V: IP710DL

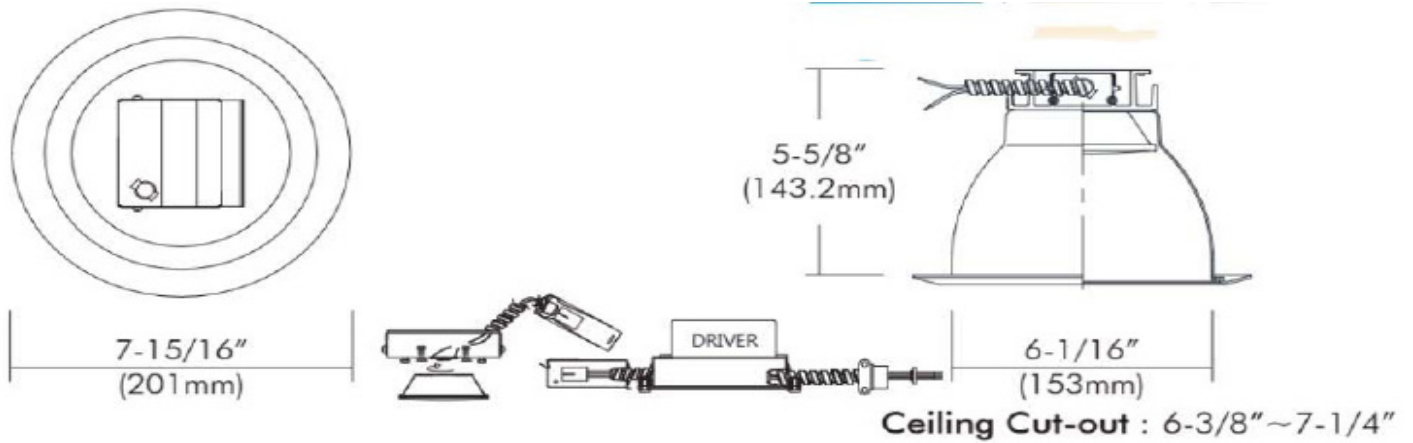
Dimensions and specifications subject to change without notice.

TRIM * Wide beam reflector is standard. Also available narrow beam in reflector(consult with factory).



- | | | | | | |
|--|---|---|--|--|---|
| MDLEDT-R64
Specular Open Reflector | MDLEDT-R614
Baffle w/ Reflector | MDLEDT-R641
Baffle w/
Regressed Lens | MDLEDT-R622
Reflector w/
Regressed Lens | MDLEDT-R636
Wall Wash w/
Kick-off Plate | MDLEDT-R640
Reflector w/
Frosted Floating Lens |
|--|---|---|--|--|---|

*All trims are rated for damp location and regressed lens trims are wet location listed.



Dimensions and specifications subject to change without notice.