

APPLICATIONS

The 6" LED DoB Retrokit Module & Trim kit with E26 medium base adapter is designed for 6" IC/Airtight and Non-IC incandescent recessed downlights and has an optional GU24 adapter for CFL housings. It is designed for use with Lum-tech models IH-620ICA, IH-620, shallow IH-640ICA, IH-640 and most 6" housings certified under UL1598 standard. High efficacy 120VAC DoB (Driver on board) LED Module (Campcell®) with integral triac dimmer capability. The optical diffusing lens produces high lumen transmission and even illumination. Suitable for wet location.



FEATURES & BENEFITS

LED MODULE

- ◆ Efficient aluminum extrusion heat sink with integrated LED DoB module
- ◆ High reflectance white reflectors and baffles improves beam distribution and uniformity

TRIMS

- ◆ Available with reflectors in white or anodized clear haze and baffle trims in white or black

LENS

- ◆ High impact translucent plastic lens
- ◆ High lumen transmission and diffusing for even illumination

MOUNTING

- ◆ Precision formed steel torsion springs easily adjust to 6" housings
- ◆ Dual torsion springs easily mount into compatible 6" recessed housings that have spring mounting tabs
- ◆ Easy trim installation with snap-on clips

COMPATIBLE HOUSINGS

- ◆ See housing compatibility section

Limited Warranty

- ◆ LED module: 5 years/50K hours
- ◆ Product/Driver: 3 years

Electrical Connection

- ◆ E26 medium Edison connector provides easy retrofit of screw based incandescent housings
- ◆ Optional GU24 base adapter available for CFL housings
- ◆ 120VAC LED power supply on-board with state-of-the-art customized IC chip (DoB)
- ◆ 10-100% triac dimming with most of leading and trailing edge incandescent & low voltage dimmer switches
- ◆ Advanced driver circuit design (Pat. Pending) prevents damage to the LED module and switch from common inrush currents
- ◆ Recommended for use max. 45 fixtures per run of a dimmer switch 600W loaded and max. 23 fixtures per a dimmer switch 300W loaded.

Listing

- ◆ cETLus Wet Location
- ◆ California Title 24
- ◆ Energy star Approved & Listed

LED-AFC6 Retrokit Reflectors and Baffles

Reflector

White or Clear Reflector
O.D : 7-9/16" (192mm)
for 5/6" housing



RHC



RWH

Baffle

White or Black Baffle
O.D : 7-9/16" (192mm)
for 5/6" housing



BWH

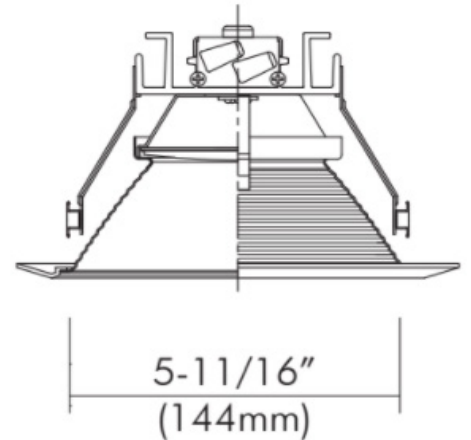
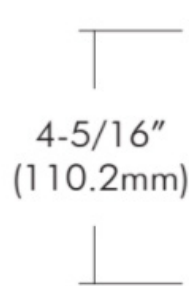
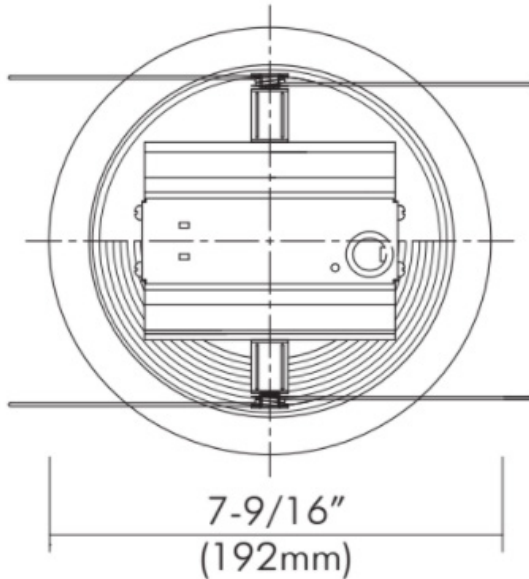
ORDERING DATA

EXAMPLE: MDLED-AFC6927RWHDOBGU24A

MDLED-AFC6

Series	CRI	Color Temp		Finishes (Reflectors & Baffles)*		Driver		Options		
MDLED-AFC6	8	80 CRI	27	2700K	RWH	White Reflector	DOB	120V Direct Driver on Board (dimnable with most line or low voltage dimmers)	GU24A ZE	GU24 Adapter Genderless Quick Connector (select when ordering with LEDH Housings)
	9	90 CRI	30	3000K	RHC	Haze Clear Reflector				
			35	3500K	BWH	White Baffle				
		40	4000K	BBK	Black Baffle					

Dimensions and specifications subject to change without notice.



HOUSING COMPATIBILITY

LED-AFC6 ETL Listed for installation in the following Lum-Tech E26 screw based 6" standard and shallow recessed housings;

- 6" : IH-620ICA, IH-620ICAR, IH-610, IH-620R, Shallow: IH-640ICA, IH-640ICAR, IH-640, IH-640R

LED-AFC6 ETL Listed for retrofit in the following 6" recessed housing;

- **Halo** : H7ICAT, H7RICAT, H7ICT, H7RICT, H7ICATNB, H7ICTNB, H7T, H7RT, H7TNB, H7TCP, H7UICAT, H7UICATNB, H27ICAT, H27RICAT, H27ICT, H27RICT, H27T, H27RT, H5ICAT, H5RICAT, H5T, H5RT, H25ICAT
- **All-Pro** : EI700AT, EI700RAT, E700ATNB, EI700, EI700R, EI700ATNB, EI700NB, ET700, ET700R, EI700U, EI700UAT, E2700AT, EI2700, EI2700R, ET2700, ET2700R
- **Juno** : IC22, IC22R, IC22W, IC22S, IC23, IC23W, IC21, IC21R, TC2, TC2R, IC20, IC20R, IC25, IC25R, IC25W, IC25S, TC20, TC20R
- **Capri** : CR1, PR1, QL1, R9ASIC
- **Lithonia** : L7X, L7XP
- **Thomas** : PS1, R9ASIC/PS9RM
- **Prescolite** : IBXS

Dimensions and specifications subject to change without notice.