

APPLICATIONS

MDFH-HC6 is an 6" aperture flat frame-in kit for (1) or (2) horizontal CFL lamps, for wide beam area and task lighting. The MDFH-HC6 offers a wide choice of trim types including reflector, lensed and wall wash trims.

FEATURES & BENEFITS

Mounting Frame

- ◆ Galvanized steel construction.
- ◆ Housing adjusts for ceilings up to 1 - 1/4" thick.

Junction Box

- ◆ Listed for through branch circuit wiring. (Max.8 No 12 AWG 90°C branch circuit conductors. (4 in, 4 out)
- ◆ (5)1/2" knockouts with true pry-out slots and (4) knockouts with Romex cable clamp.
- ◆ Ground wire provided on J-box.

Reflector

- ◆ Anodized clear, haze, gold, champagne, pewter color finished full reflectors. And anodized reflectors with black or white milled groove baffle collar.

Bar Hangers

- ◆ Maximum extension of 24" allows for extra distance between joists
- ◆ Housing can be positioned at any point within 24" joist span.
- ◆ Score lines allow "toolless" shortening for 12" joists. Bar hangers may be repositioned 90 degrees.
- ◆ Integral T-bar clips snaps onto T-bars and no additional clips are required.

Trim Ring

- ◆ White plastic ring or plated chrome, stain nickel, polished brass, natural steel color ring

Socket

- ◆ G240Q/GX24Q socket for use 4 pin DTT, TTT lamps.

Socket Housing

- ◆ Installed (4 pin) plastic lampholders in stamped galvanized steel housing attached on the reflector top.

Listing

- ◆ UL, c-UL listed for damp location.
- ◆ UL, c-UL listed for feed through.



Lamps

- ◆ Compact Fluorescent lamps.
 - * DTT-Double twin tube (Quad/CFQ)
 - (1) or (2) 13W DTT (4 pin)
 - (1) or (2) 18W DTT (4 pin)
 - (1) or (2) 26W DTT (4 pin)

* TTT-Triple Twin Tube (CFTR)

- (2) 26W TTT (4 pin)
- (2) 32W TTT (4 pin)
- (2) 42W TTT (4 pin)
- (1) 26W TTT (4 pin)
- (1) 32W TTT (4 pin)
- (1) 42W TTT (4 pin)

Ballast

- ◆ Class P Thermally protected by internal fuse (3 amp fast blow), Multi-volt electronic ballast or thermal cut-out switch in magnetic ballast.
- ◆ High Power Factor Multi-volt Electronic ballasts for 4 pin type compact fluorescent lamps mounted on J-box door for easy access from inside of fixture.

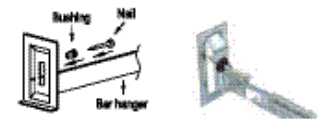
ORDERING DATA

EXAMPLE: MDFH-HC6113HEEM

MDFH-HC6					
Series	Lamps	Ballast		Options	
MDFH-HC6	113 (1) 113W 118 (1) 118W 126 (1) 126W 132 (1) 132W 142 (1) 142W 213 (2) 213W 218 (2) 218W 226 (2) 226W 232 (2) 32W 242 (2) 42W	NE* NPF Electronic (For use with (1) 13W, 18W * 26W 120V only) HE HPF Electronic (120/277) HEDM7 Mark 7 Dimming (120/227) HED1 Mark 10 Dimming (120V) HED2 Mark 10 Dimming (227V) HELD1 Lutron Compact SE (120V) HELD2 Lutron Compact SE (227V)	EM Emergency w/Remote Test Switch Q Quick Connectors		
		*Other Dimming Products Available. Consult With Factory. *1% Lutron Hi-Lume Limited Use For (1)26W & (1)32W TTT.			

Just-A-Nail

Adjustable nail hanger bar for easy alignment.



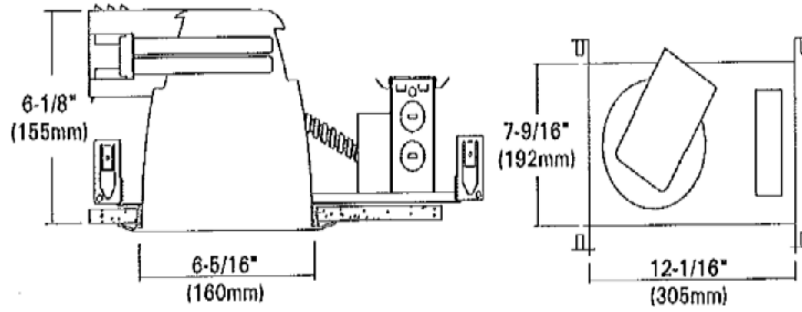
JUST-A-NAIL

* Pre-installed nail bars with vertical slots are used to evenly align the bars horizontally after nailing halfway into wood joists.

Optional "Quick Connect" Push-in wire connectors.

- Three "Quick Connectors"
- Pre-installed push-in wire connectors for fast and easy wiring.

Dimensions and specifications subject to change without notice.



MDFT-H64 MDFT-HS64 MDFT-H64SF Specular Open Reflector 2x26W DTT, 1x42W TTT White Plastic Trim Ring O.D. : 7-7/8" Height : 6-1/4"				
MDFT-H614 MDFT-HS614 Baffle w/ Reflector 2x26W DTT, 1x42W TTT White Plastic Trim Ring O.D. : 7-7/8" Height : 6-1/4"			MDFT-H636 MDFT-HS636 Wall Wash w/ Kick-off Plate 2x26W DTT, 1x42W TTT White Metal Trim Ring O.D. : 7-7/8" Height : 6-1/4"	
MDFT-H641 MDFT-HS641 Baffle w/ Fresnel Lens 2x26W DTT, 1x42W TTT White Plastic Trim Ring O.D. : 7-7/8" Height : 6-1/4"			MDFT-H622 MDFT-HS622 Reflector w/ Fresnel Lens 2x26W DTT, 1x42W TTT White Plastic Trim Ring O.D. : 7-7/8" Height : 6-1/4"	
MDFT-H640 MDFT-HS640 Reflector w/ Frosted Drop Lens 2x26W DTT, 1x42W TTT White Metal Trim Ring O.D. : 7-7/8" Height : 6-1/4"			MDFT-H650 MDFT-HS650 Reflector w/ Frosted 3.5" Center Drop Lens 2x26W DTT, 1x42W TTT White Metal Trim Ring O.D. : 7-7/8" Height : 6-1/4"	
MDFT-H629 MDFT-HS629 Reflector w/ Cross Louver Blade 2x26W DTT, 1x42W TTT White Plastic Trim Ring O.D. : 7-7/8" Height : 6-1/4"		MDFT-H646 MDFT-HS646 Reflector w/ Wall Wash 2x26W DTT, 1x42W TTT White Plastic Trim Ring O.D. : 7-7/8" Height : 6-1/4"		

- White plastic ring standard. Also available with metal rings
- All trims are damp location, Lens trims are wet location listed.
- Symbol "S" is for 5 3/16" shallow reflectors

TRIM ORDERING DATA

EXAMPLE: MDFT-H64SMWH

Trim	Reflector	Lens	Baffle	Metal Ring
See Chart Above	CL Clear WH White GD Gold MA Matte Platinum CP Champagne PR Pewter SM Semi-Matte Clear	FR Fresnel AS All Sanded CL Clear CV Convex Prismatic	WH White BK Black SN Satin Nickel AN Antique Nickel AC Antique Copper MO Mocha CA Cappuccino CH Chrome UN Natural Steel PB Polished Brass	WH White BK Black SN Satin Nickel AN Antique Nickel AC Antique Copper MO Mocha CA Cappuccino CH Chrome UN Natural Steel PB Polished Brass

Dimensions and specifications subject to change without notice.