

**FEATURES & BENEFITS**

**ILLUMINATION**

- ◆ Long lasting, efficient, ultra bright white LED lamp heads
- ◆ 3.6W (3 LEDs x 1.2 watt) per head
- ◆ Adjustable LED lamp heads provide optimal center-to-center spacing
- ◆ Long-life, energy efficient Red or Green LED Exit sign illumination

**ELECTRICAL**

- ◆ Dual 120V/277 voltage
- ◆ Unique bi-color LED indicator light alerts occupants on battery condition (Green-normal, Red-check battery)
- ◆ 6V long life, maintenance free, rechargeable NiCd battery
- ◆ Internal solid-state transfer switch automatically connects the internal battery to LED board for minimum 90-minute emergency illumination
- ◆ Fully automatic solid-state, two rate charger initiates battery charging to recharge a discharged battery in 24 hours

**MOUNTING**

- ◆ Die-cast aluminium mounting canopy included for top or end mount
- ◆ Universal K/O pattern on back plate for wall mount

**HOUSING**

- ◆ 5VA flame-retardant, UV stabilized polycarbonate in white, black or gray finish
- ◆ High-impact resistant, UV stabilized polycarbonate clear lens
- ◆ Corrosion resistant enclosure with engineering grade silicone gasket
- ◆ Top and side K/O's provided for conduit feed applications
- ◆ EZ snap-out Chevron directional indicators



**WARRANTY / LISTING**

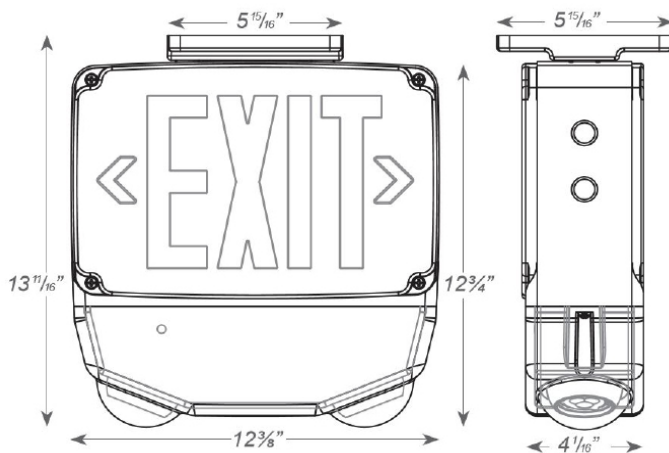
- ◆ Five year warranty on all electronics and housing. Battery prorated for five years
- ◆ Meets UL924, NFPA 101 Life Safety Code, NEC, OSHA, Local and State Codes
- ◆ UL Listed for wet locations (0°C - 50°C)

**ORDERING DATA**

**EXAMPLE: MCWLEZXTEURWB1**

Series	Letters	Housing Color	Operation	# of Faces	Options
MCWLEZXTEU	R Red G Green	W White B Black G Gray	B Battery Backup	1 Single 2 Double	SD Self Diagnostic RC Remote capability CW Cold weather TP Tamper Proof Custom Custom Wording

**DIMENSIONS**



Dimensions and specifications subject to change without notice.

CAT#	
JOB NAME	
TYPE	