

APPLICATIONS

This fixture is perfect for coastal and marine environments. Ideal for light commercial, multifamily, and residential buildings requiring general illumination.

FEATURES & BENEFITS

- ◆ Dusk to dawn photocell for automatic ON/OFF (optional)
- ◆ Corrosion and scratch resistant
- ◆ Available in black or white finish
- ◆ UV resistant resin body with aluminum base
- ◆ ^cUL_{US} Listed for wet locations



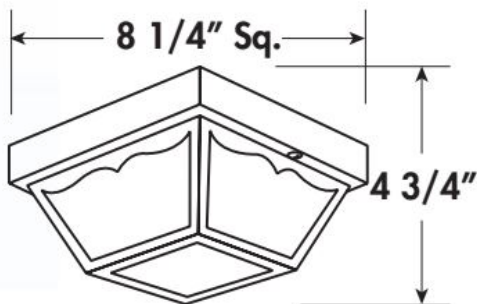
8.25" Century

ORDERING DATA

EXAMPLE: MCBP113GUBKFL

Series	Lamping	Socket	Finish	Lens	Lamp	Option
MCBP	113 1-13W GU24 118 1-18W GU24 123 1-23W GU24 126 1-26W GU24	GU 120V Electronic GU24 Base	BK Black WH White	F Frosted Polypropylene G Clear Glass	Blank No Lamp L Lamp included (2700K)	PC Photocell

DIMENSIONS



Dimensions and specifications subject to change without notice.



CAT#			
JOB NAME		TYPE	