

APPLICATIONS

This fixture is perfect for a wide range of applications. Ideal for light commercial, multifamily, and residential buildings requiring general illumination.

FEATURES & BENEFITS

- ◆ Dusk to dawn photocell for automatic ON/OFF
- ◆ Corrosion and scratch resistant
- ◆ Available in black or white finish
- ◆ Molded of durable non-corrosive UV resistant resins with aluminum base
- ◆ ^cUL_{US} Listed for wet locations

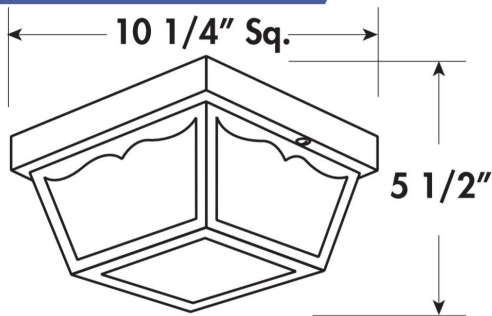


ORDERING DATA

EXAMPLE: MBBP 113GUBKFLPC

MBBP		GU		Finish		Lens		Lamp		Options	
Series	Lamping	Socket									
MBBP	113 1-13W GU 24	GU 120V Electronic GU24 Base		BK Black	F Frosted Polypropylene	Blank No Lamp	PC Photocell				
	213 2-13W GU 24			WH White	G Clear Glass	L Lamp included (2700K)					
	118 1-18W GU 24										
	218 2-18W GU 24										
	123 1-23W GU 24										
	223 2-23W GU 24										
	126 1-26W GU 24										

DIMENSIONS



Dimensions and specifications subject to change without notice.



◆ 800-444-WATT ◆ www.mobern.com ◆
8200 Stayton Dr., Ste. 500, Jessup, MD 20794

#CAT

JOB NAME

TYPE