

APPLICATIONS

This LPLI Series is a subtle low-profile ellipsoidal pendant luminaire with 60% uplight and 40% downlight. Available in 96" and 48" modular lengths or individual or row configurations. For cable mounting only. End caps can be added to beginning of row, end of row or both ends of individual units. For continuous row mounting, wiring (supplied with fixture) feeds through enclosed wireway. Sleek, compact, and low profile silhouette makes a dynamic design statement used individually or in graceful linear runs. When suspended, the Low Profile appears to float in the environment. Ideal for settings requiring generous overall illumination as well controlled task lighting with the direct/indirect distributions.



FEATURES & BENEFITS

SIZE W x L x H in inches (mm)

4ft. - 10.8" x 48" x 3.5"

8ft. - 10.8" x 96" x 3.5"

LAMP

2, 3, 4, or 6 lamp positions

MOUNTING

Standard 4' adjustable power cable (2 for 4' or 8' unit, included). Add C12 for 12' adjustable cable. Consult factory for longer cables.

CONSTRUCTION

Rugged steel housing with anti-rust protection powder coated white. Custom paint finishes available.

END CAPS

White powder coated 23 gauge steel

BAFFLE

Low iridescence semi-specular aluminum parabolic louver provides a wide bat wing distribution and allows wide spacing of fixtures that reduce brightness contrasts on the ceiling, assuring a comfortable environment.

TYPICAL OPTIONS AND ACCESSORIES

Emergency ballasts, Cord sets, whips, occupancy sensors Hanging kits, Wire guards. Contact factory for additional options.

LISTING

cULus Listed for damp locations

ORDERING DATA

EXAMPLE: LPLI254TANMVWH

LPLI

Series	# of Lamps ^{1,2}	Lamp Type	Ballast Type ³	Finish ⁴	Options ⁵
LPLI	2	28 46" T5	MV MultiVolt	WH White	B1 T8/T5 1L 500 Lumen Battery Pack(B11)
Linear	3	32 48" T8	PMV Program MultiVolt	SL Metallic Silver	B2 T8/T5 1L/2L 700 Lumen Battery Pack(B48)
Pendant	Per cross section	54 46" T5HO	DMV Dimming Multivolt	RD Red	B3 T8/T5 1L/2L 1400 Lumen Battery Pack(B223)
				IN Iron	B51 T5HO 1L 500 Lumen Battery Pack(B625)
				BK Black	B52 T5HO 1L 800 Lumen Battery Pack(B585)
					B53 T5HO 1L 1300 Lumen Battery Pack(B626)
					11 Dual Ballasts 1 Lamp + 1 Lamp
					21 Dual Ballasts 2 Lamp + 1 Lamp
					22 Dual Ballasts 2 Lamp + 2 Lamp
					31 Dual Ballasts 3 Lamp + 1 Lamp
					C12 12' Cable/Feed Kit
					CF Center power feed
					TR1 Top Reflector for all downlight
					TR10 Top Reflector with 10% Uplight

Louver & Lens	Tandem Code	Configuration
BLANK Baffle	BLANK No Tandem	Blank Individual
DFSW Smooth White Lens	TAN 8' Tandem Unit	-B Beginner Run
		-E Ender Run
		-J Joiner

Plug in Options: For continuous run applications by simply plugging sections together

Part Number	Description
PI1	3 wire harness, including white, black and green
PI2	4 wire harness, including white, black, green and blue for emergency battery backup
PI3D	5 wire harness, including white, black, green, violet and gray

NOTES

- 1) 3 lamp for T5 only
- 2) Order lamps separately
- 3) Battery Backup (3) if ordering separately.
- 4) Custom finishes available.
- 5) Call factory for more options.

Dimensions and specifications subject to change without notice.

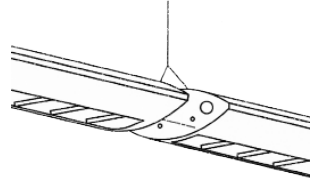
ADDITIONAL INFORMATION



- ◆ Cable kit included. Add top reflector (TR or TR10 - 10% uplight) to get more downlight.

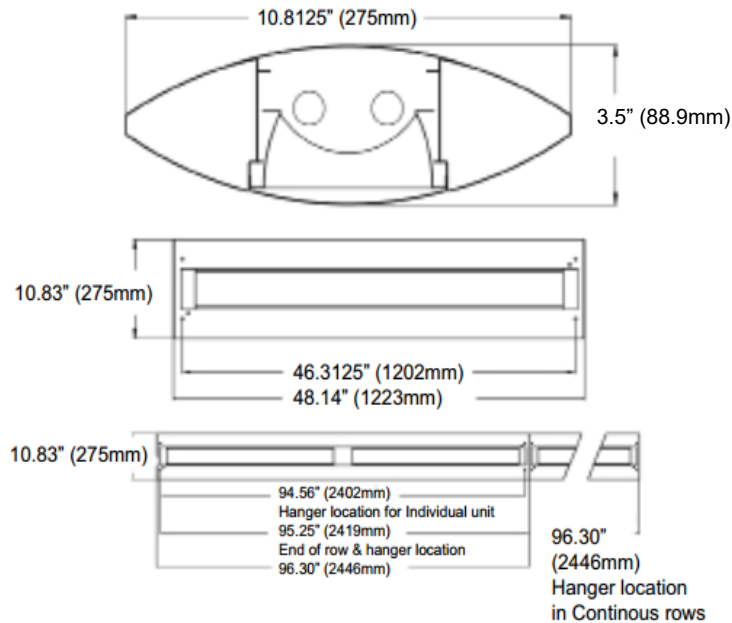


- ◆ White canopy is standard.
- ◆ Change WH to BK for black canopy and cord.



- ◆ Joins easily for long runs.

TECHNICAL INFORMATION



Dimensions and specifications subject to change without notice.