

APPLICATIONS

Specification grade, low profile direct/indirect wall mount with up and forward throw optics, the LIW is a sleek wall mount companion to the pendant mount. This wall mount is ideal for brightening perimeters of offices or spectacular wall lighting systems for corridors.

FEATURES & BENEFITS

- ◆ 5.03"W x 49.25"L x 2.68"Dp
- ◆ 5.03"W x 98.00"L x 2.68"Dp
- ◆ 2 lamp positions
- ◆ Continuous row mounting
- ◆ Post painted powder coat finish
- ◆ White standard, custom colors available
- ◆ Wall mount

SPECIFICATIONS

Housing is die formed and embossed code 20 gauge steel with die cast aluminum end caps. Standard finish is powder coat white. Custom color available. An enhanced white aluminum reflector is included.

ORDERING DATA

EXAMPLE: LIWMB228BKMV

LIW		2			MV	
Series	Body Style	Lamp Count	Lamp Type	Finish	Ballast Type	Configuration
LIW Direct/indirect Wall Mount	MP Perforated MN Solid MS White Lens MB Louver	2 2 Lamps	28 46" T5 28TAN 2-46" T5 32 48" T8 32TAN 2-48" T8 54 54" T5HO 54TAN 2-54" T5HO	WH White BK Black SL Silver BZ Bronze	MV 120-277VAC Multivolt	Blank End caps included

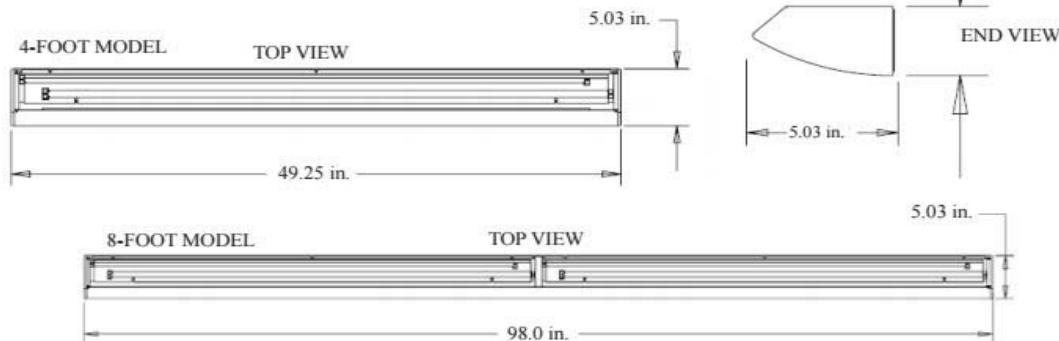
NOTES:

NO END CAPS ON JOINER SECTIONS

One pair of end caps are required per row.

For individual mount, order standard fixture.

For a continuous row, order one standard & balance as joiners



Dimensions and specifications subject to change without notice.