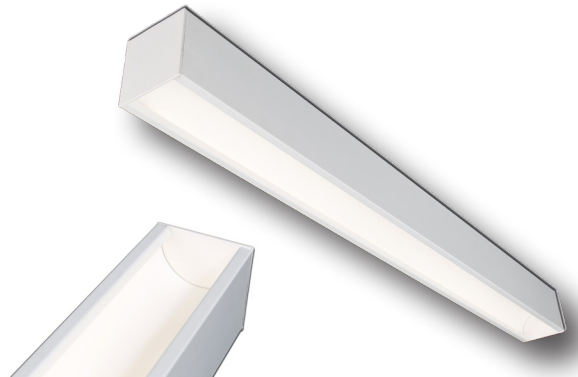


### APPLICATIONS

The linear L44IR LED linear fixture is for distinctive architectural lighting plans. Ideal for hotels, apartments, corridors, lobbies and office areas. The L44IR series fixtures can be installed individually or in group patterns.

### FEATURES & BENEFITS

- ◆ Fixtures can be surface mounted, recessed mounted or pendant hung by stem or cable
- ◆ Housing is die-formed and welded 22-gauge cold-rolled steel
- ◆ Exterior-accessible 1/4-20 holes allow for fast and easy pendant mounting with no need to open the fixture
- ◆ Option to continuous row mount is standard by removing end plates
- ◆ Every fixture is individually tested
- ◆ cETL<sub>us</sub> listed for damp location



### ORDERING DATA

EXAMPLE: L44IRR-48LED50DMVWH30

Series		Mounting		Size		Gear		Wattage/Lumens		Driver		Finish		Color Temp		Configuration	
L44IR LED Indirect Radiant Linear Fixture	R	Recessed	24	24"	LED	25	25W	2000 Lumens	DMV	120-277VAC	WH	White	30	3000K	Blank	Individual	
	RF	Recessed	48	48"		48 inch	50	50W		4000 Lumens		Multivolt	BK	Black		35	3500K
		Flanged	96	96"	96 inch	50	50W	4000 Lumens	SDMV	0-10V Dimming	SL	Silver	40	4000K	-E	Ender Run	
	RR	Recessed Flangeless Appearance			100	100W	8000 Lumens	120-277VAC		Step Dimming	IN	Iron	50	5000K	-J	Joiner	
	W	Wall Mount							100%-40%	BZ	Bronze						
	S	Surface															
	P	Pendant															

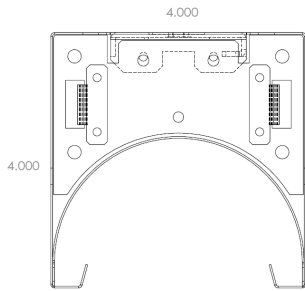
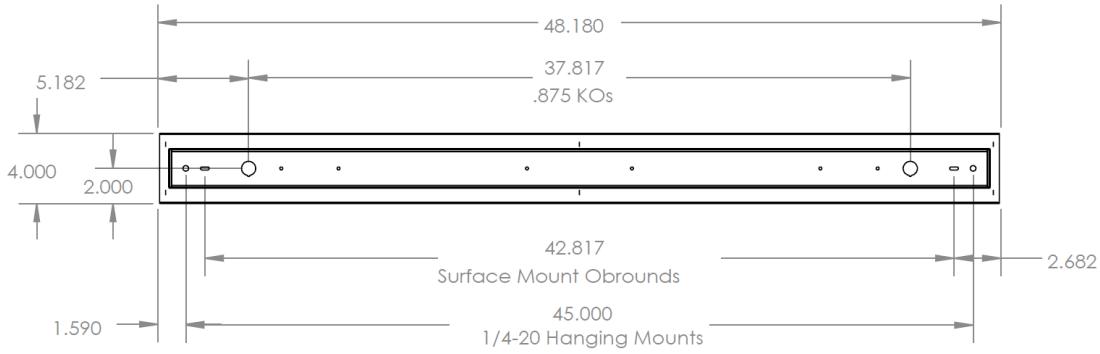
#### Options

- HC0421WH** Cable kit w/ 6' cable & 3 wire power feed cable incl. w/ white canopy
  - HC0421WH5W** Cable kit w/ 6' cable & 5 wire power feed cable incl. w/ white canopy
  - HC0422WH** Cable kit w/ 12' cable & 3 wire power feed cable incl. w/ white canopy
  - HC0422WH5W** Cable kit w/ 12' cable & 5 wire power feed cable incl. w/ white canopy
- Plug In System Options**
- PI1** 3 wire harness, including white, black, and green
  - PI2** 4 wire harness, including white, black, green, and blue for emergency battery backup
  - PI3D** 5 wire harness, including white, black, green, violet, and gray

Dimensions and specifications subject to change without notice.



**DIMENSIONS**



Dimensions and specifications subject to change without notice.



◆ 800-444-WATT ◆ www.mobern.com ◆  
8200 Stayton Dr., Ste. 500, Jessup, MD 20794

CAT#			
JOB NAME		TYPE	