

#### APPLICATIONS

A linear 2x3 fixture for distinctive architectural lighting plans. Ideal for corridors, lobbies and office areas, 2x3 Series fixtures can be installed individually or in a continuous run. Specifically designed for direct lighting with snap-in lens to hide the LED arrays.



#### FEATURES & BENEFITS

- ◆ Available in custom finishes (consult factory)
- ◆ IC Rated
- ◆ cETL<sub>us</sub> listed for damp locations up to 90 watts
- ◆ L<sub>70</sub> > 50000 hrs.
- ◆ Min CRI 80
- ◆ 5 year warranty

#### ORDERING DATA

EXAMPLE: L23RRSF48-LED26DMVWH40

Series	Length <sup>1</sup>	Gear	Wattage & Lumens	Finish <sup>2</sup>	Color Temp	Configuration
<b>L23RR</b> 1/2" Recess Flanged For Before Drywall Installation	24 24 inch 48 48 inch 96 96 inch	<b>LED</b>	<b>24 in.</b> 13 13 Watts 1300 Lumens 19 19 Watts 1900 Lumens 23 23 Watts 2300 Lumens	<b>WH</b> White <b>BK</b> Black <b>SI</b> Silver	<b>30</b> 3000K <b>35</b> 3500K <b>40</b> 4000K <b>50</b> 5000K	<b>Blank</b> Individual <b>-B</b> Beginner <b>-E</b> End <b>-J</b> Joiner
<b>L23RPF</b> For Existing Drywall Instal- lation Perforated Flange After Drywall Installation	<b>Lens Material</b> <b>SF</b> Snap-in frosted acrylic lens		<b>48 in.</b> 26 26 Watts 2600 Lumens 38 38 Watts 3800 Lumens 45 45 Watts 4500 Lumens <b>96 in.</b> 52 52 Watts 5200 Lumens 76 76 Watts 7600 Lumens 90 90 Watts 9000 Lumens	<b>Driver &amp; Voltage</b> <b>DMV</b> 120-277V Multivolt 0-10V Dimmable <b>SDMV</b> Step dimming Multivolt <b>D347V</b> 347VAC 0-10V Dimming <b>D120</b> Triac Dimming 120VAC <b>D277</b> Triac Dimming 277VAC		
<b>Options</b>						
<b>Plug in Options</b>						
<b>PI1</b>	3 wire harness, including white, black and green					
<b>PI2</b>	4 wire harness, including white, black, green and blue for emergency backup					
<b>PI3D</b>	5 wire harness, including white, black, green, violet and gray					

#### Notes:

<sup>1</sup>Consult for other lengths.

<sup>2</sup>Consult for custom finish options

<sup>3</sup>See L23P-L23S-L23W-LED and L23R-LED spec sheet for matching pendant, surface, wall mount, and flangeless recessed fixtures.



Dimensions and specifications subject to change without notice.

◆ 800-444-WATT ◆ www.mobern.com ◆  
8200 Stayton Dr., Ste. 500, Jessup, MD 20794

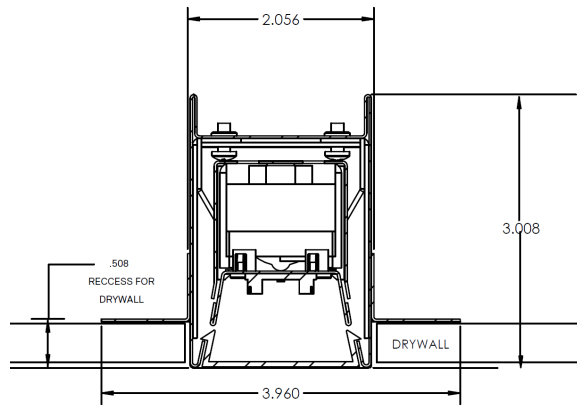
CAT#	
JOB NAME	
TYPE	

### DIMENSIONS

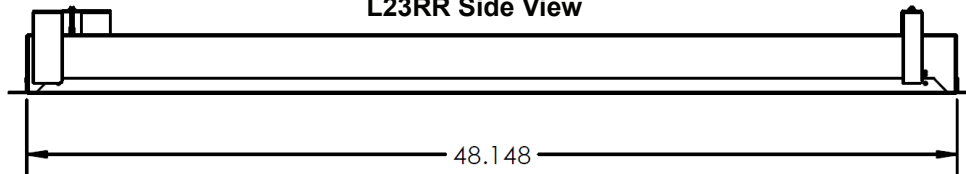
**Dimension In Inches**

- 24 in.**  
2"W x 24"L x 3"H
- 48 in.**  
2"W x 48.1"L x 3"H
- 96 in.**  
2"W x 96"L x 3"H

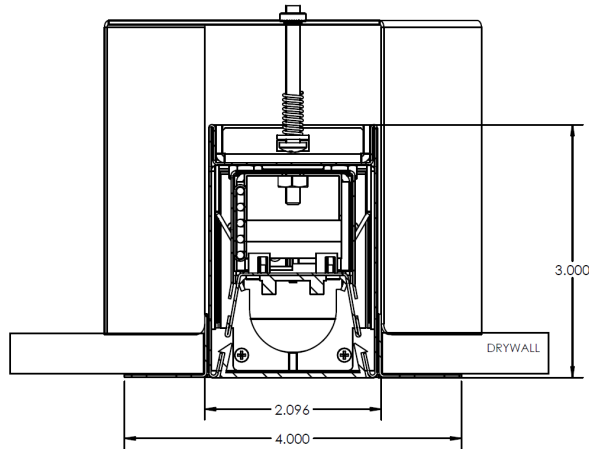
**L23RR End View**



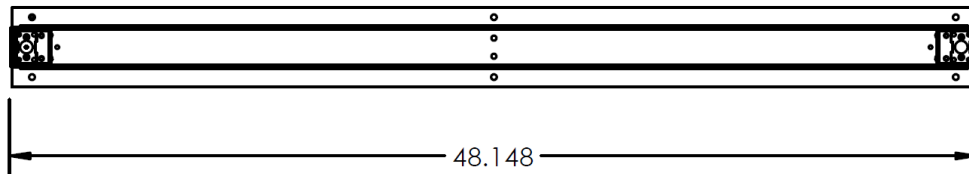
**L23RR Side View**



**L23RF End View**



**L23RF Side View**



Dimensions and specifications subject to change without notice.