

### APPLICATIONS

This mini linear pendant provides a bold look from a small fixture. With multiple mounting options, this fixture can be used individually or joined together for longer runs. End caps can be removed to join two fixtures together. Fixtures come standard in white and can be powder coated in Silver, Red, Iron or Black. Consult for custom color. This fixture is ideal for both general lighting in row configurations, spaced evenly apart, or for task lighting.

### FEATURES & BENEFITS

- ◆ Accepts various lenses or louvers.
- ◆ Fixtures can be surface mounted to the ceiling or pendant hung by stem or cable.
- ◆ Rugged steel housing with anti-rust protection powder coated white. Custom paint finishes available.
- ◆ UL listed for damp locations

### SPECIFICATIONS

Die-formed and welded 22 gauge cold rolled steel. Removable ends allow continuous wireway mounting. Housing is specially designed for direct/indirect lighting with separate lamps compartments for each. Fixture accepts various lenses, consult for baffles or louvers. 4' and 8' units have a steel mullion to join two individual diffusers. Snap in lens is ideal for uplight.



### ORDERING DATA

EXAMPLE: L23SMW114MVWH

Series	Lamp Count	Lamp Type	Ballast Type	Finish	Configuration
<b>L23W</b> Wall Mount	<b>1</b> Downlight (std)	<b>14</b> 22" T5	<b>MV</b> Multivolt 120-277	<b>WH</b> White	<b>Blank</b> Individual
<b>L23P</b> Pendant Mount	<b>1U</b> Uplight	<b>24</b> 22" T5HO	<b>PMV</b> Program Multivolt	<b>BK</b> Black	<b>-B</b> Beginner Run
<b>L23S</b> Surface Mount	<b>1U1D</b> Uplight & Downlight	<b>28</b> 46" T5	<b>DMV</b> Dimming MV	<b>SL</b> Silver	<b>-E</b> Ender Run
<b>L23R</b> Recessed Mount	<b>MW</b> Matte white lens (std) Only available for down light Snap-in frosted acrylic lens (85% transmission) Special for LEDs. (Only available for uplight & downlight)	<b>28TAN</b> 2-46" TAN T5	<b>LED**</b> Wired 1 end hot for T8 LED tubes	<b>RD</b> Red	<b>-J</b> Joiner
<b>L23RR</b> 1/2" Recessed Flanged (For Before Drywall Installation)		<b>54</b> 46" T5HO	<b>LED2E**</b> Wired 2 ends hot for T8 LED tubes	<b>IN</b> Iron	
<b>L23RF</b> Flanged (For Existing Drywall Installation)		<b>54TAN</b> 2-46" TAN T5HO	** Assembled with no ballast, made for UL listed, self ballasted retrofit LED lamps. For UL Listed version, see EZ-LED	<b>Options</b>	
				<b>HC301WH</b>	Cable kit with 4' cable & power feed 0-10V Dimming. Cable incl. w/white canopy
				<b>HC301WH5W</b>	Cable kit with 4' cable & power feed 0-10V Dimming. Cable incl. w/white canopy (5 wire)
				<b>HC302WH</b>	Cable kit with 12' cable & power feed 0-10V Dimming. Cable incl. w/white canopy
				<b>HC302WH5W</b>	Cable kit with 12' cable & power feed 0-10V Dimming. Cable incl. w/white canopy (5 wire)
				<b>2SCS24WH</b>	Two stem kits w/24" stem, canopy & mounting hardware for 4' fixture
				<b>PI1</b>	3 wire harness, including white, black and green
				<b>PI2</b>	4 wire harness, including white, black, green and blue for emergency battery backup
				<b>PI3D</b>	5 wire harness, including white, black, green, violet and gray

\*Consult factory for more options

Dimensions and specifications subject to change without notice.



◆ 800-444-WATT ◆ www.mobern.com ◆

8200 Stayton Dr., Ste. 500, Jessup, MD 20794

CAT#

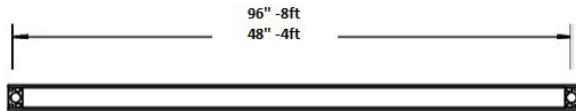
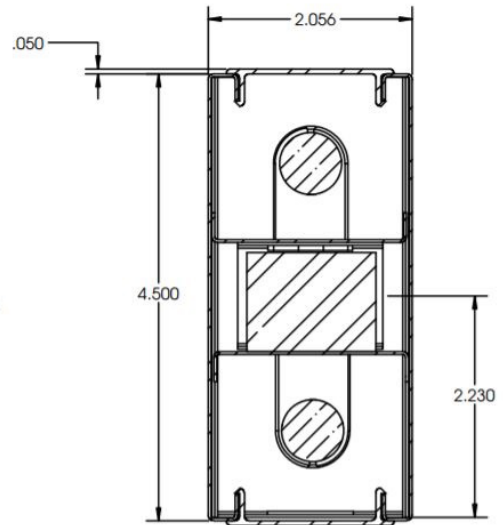
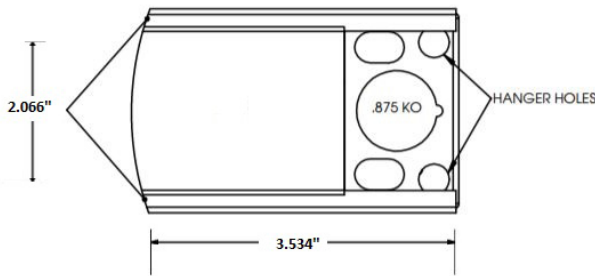
JOB NAME

TYPE

**Dimensions**

**Uplight & Downlight**

**Standard**



Dimensions and specifications subject to change without notice.



◆ 800-444-WATT ◆ [www.mobern.com](http://www.mobern.com) ◆  
8200 Stayton Dr., Ste. 500, Jessup, MD 20794

CAT#	
JOB NAME	TYPE