

APPLICATIONS

High efficiency LED engineered for premium performance in medium and high ceiling applications ideally suited for warehouses, manufacturing plants, sports facilities and retail spaces. A precision-formed reflector system available in highly reflective enhanced white reflector achieve maximum light output for ceilings from 15 feet to 40 feet. The unique arrangement is ideal for wide area lighting to put the light exactly where you need it with less fixtures. Based on ceiling height, these fixtures can replace an HID high bay using half of the wattage. Surface, pendant, chain or stem mounting. Highest quality materials and workmanship.



(With no lens)



(With optional wireguard)



(With frosted lens)

SIZE: W x L x H in inches

24L: 15.575W x 23.379"L x 4.296"H

48L: 15.575W x 45.160"L x 4.296"H

FEATURES & BENEFITS

- ◆ Designed for surface, pendant, stem or chain hanging
- ◆ Mounting holes provided for simple, fast installation
- ◆ Min CRI 80
- ◆ ^cETL_{us} Listed

APPLICATIONS

Housing is 22 gauge prepainted steel. Air vents surround the drivers in the back of the fixture to maximize LED and driver performance, reliability and life. High reflective enhanced white reflectors are computer designed to maximize photometric performance and put the light where you need it. Access plate in the back makes wiring fast and hassle-free. Back of fixture is designed with built-in mounting holes for tong hanger, cable kit and surface mount.

ORDERING DATA

EXAMPLE: HBPA24LED8DMV30FR

HBPA		LED		DMV		Lens		Color Temp	
Series	Size	Gear	Wattage & Lumens		Driver	Lens		Color Temp	
HBPA	24 23.379" 48 45.160"	LED	24		DMV	Blank No Lens		30	3000K
			80	80 Watts 10000 Lumens	0-10V Dimming	FR	Frosted	35	3500K
			122	122 Watts 15000 Lumens	120-277VAC	CL	Clear lens	40	4000K
			48		Multivolt			50	5000K
			80	80 Watts 10000 Lumens					
			122	122 Watts 15000 Lumens					
			149	149 Watts 21150 Lumens					
			175	175 Watts 25050 Lumens					
			186	186 Watts 26350 Lumens					
			215	215 Watts 31380 Lumens					
			220	220 Watts 33000 Lumens					
			260	260 Watts 36780 Lumens					
			273	273 Watts 38230 Lumens					
			280	280 Watts 41120 Lumens					
			315	315 Watts 45440 Lumens					
			355	355 Watts 50110 Lumens					

Options	
OS	Occupancy sensor Wide angle
OSD	Occupancy and daylight sensor w/ dimming
WP	6 Ft. 3 wire
EM	10W 1300 lumen Battery backup
CS8	8' cord, no plug
CS12	12' cord, no plug
UP45	Uplight 45 system watts 4900 Lumens
WG	Wireguard

ACCESSORIES

- A-HBPA24WG Wireguard for HBPA24
- A-HBPA48WG Wireguard for HBPA48
- AC120-Toggle-2PK Yhook - 10' Cable Mounting Kit and 2 Spring Clips

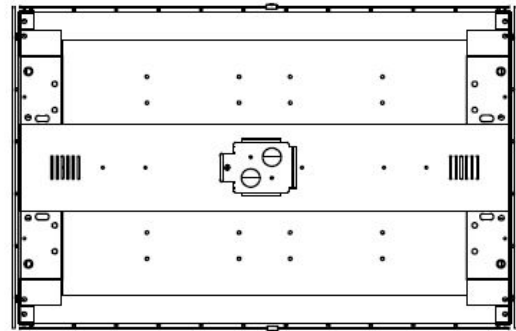
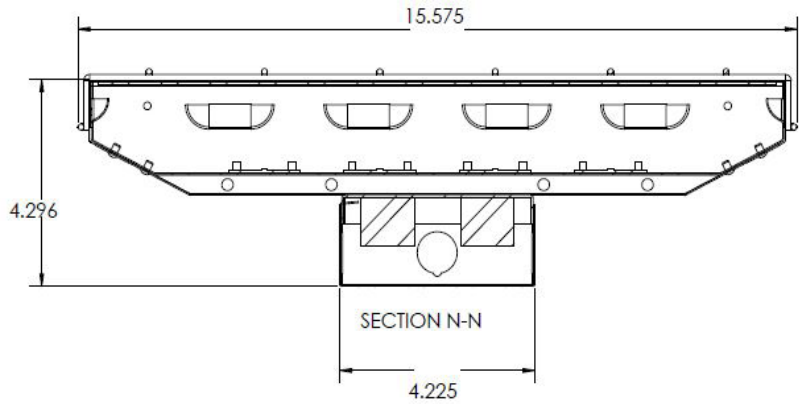
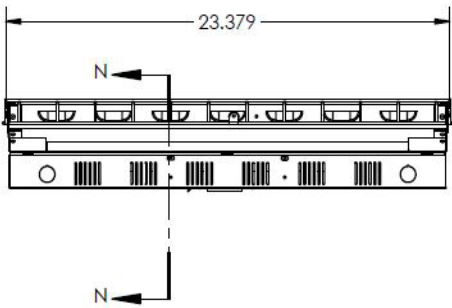
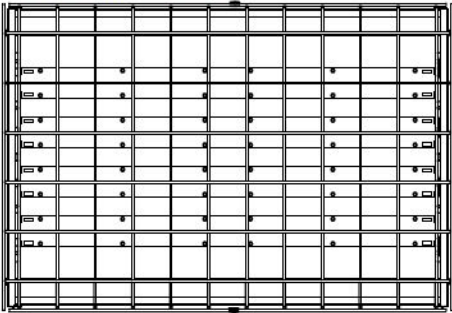
Note: Wire guard is optional

Dimensions and specifications subject to change without notice.



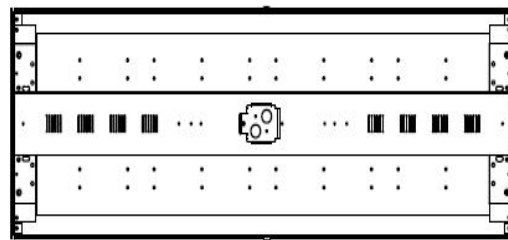
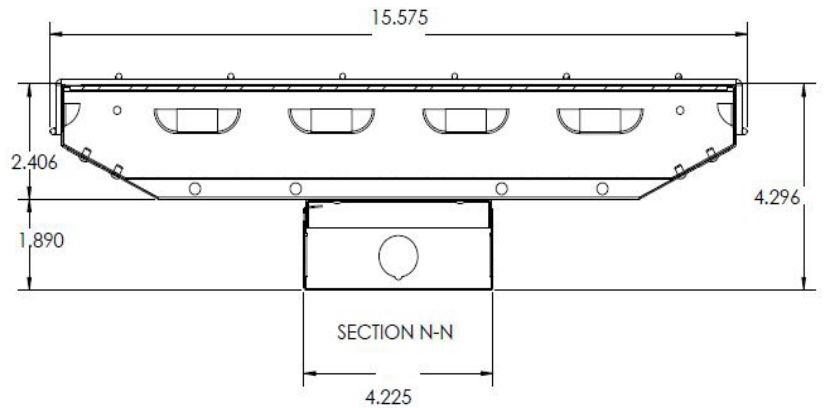
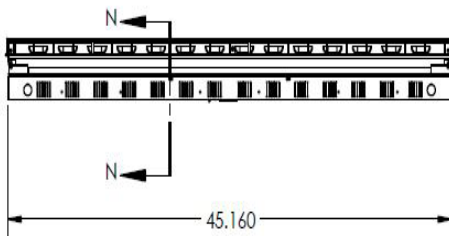
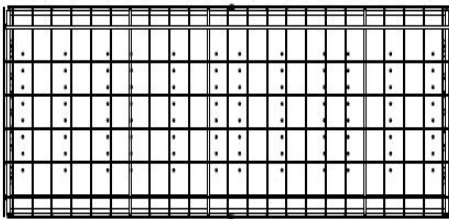
24L

TOP VIEW WITHOUT LENS



BOTTOM VIEW

48L



Bottom View

Dimensions and specifications subject to change without notice.

