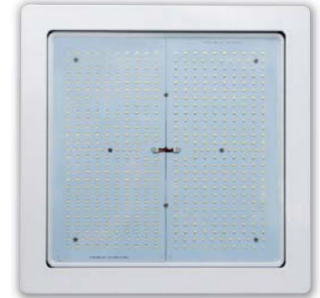


### APPLICATIONS

The GSC is an energy efficient fixture for use in gas station canopies.

### FEATURES & BENEFITS

- ◆ Recess mounted
- ◆ Min CRI 80
- ◆ L70>50000 hrs
- ◆ Tempered clear flat glass lens
- ◆ Die cast aluminum housing with IP65 driver component
- ◆ White powder coat finish over a chromate conversion coating
- ◆ CSA listed for wet locations
- ◆ 5 year warranty for -40°C - +50°C environment

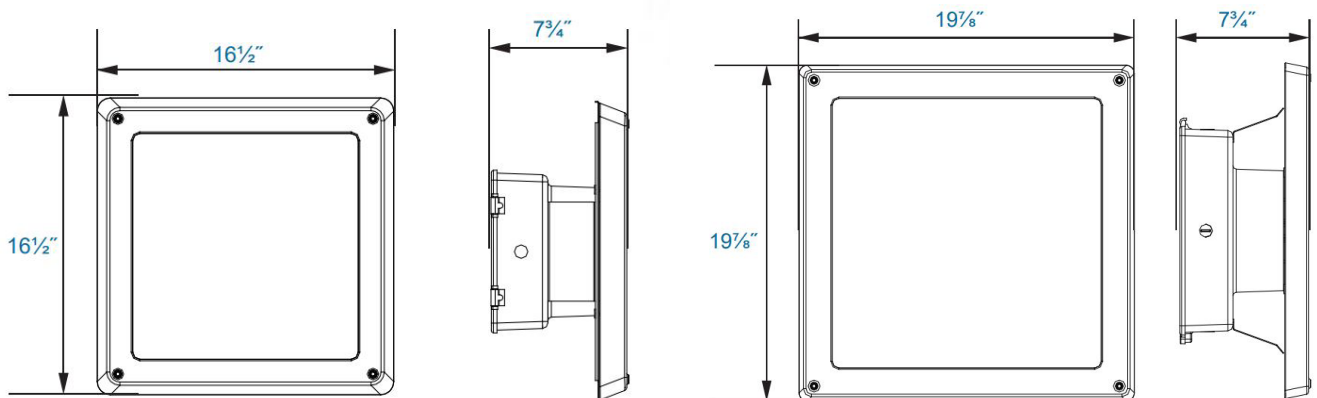


### ORDERING DATA

EXAMPLE: GSC16LED125DMVWH50

Series	Size/Gear/Wattage/Lumens	Driver	Finish	Color Temp	Options
<b>GSC</b> Gas Station Canopy	<b>16LED125</b> 16 1/2" LED 125 Watts 17904 Lumens <b>20LED204</b> 19 7/8" LED 204 Watts 29677 Lumens	<b>DMV</b> 120-277VAC 0-10V Dimmable	<b>WH</b> White	<b>50</b> 5000K	<b>SF</b> Single Fuse <b>DF</b> Double Fuse <b>SP</b> Surge Protection

### DIMENSIONS

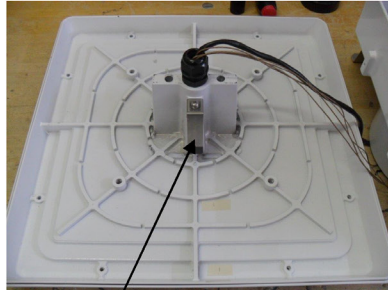
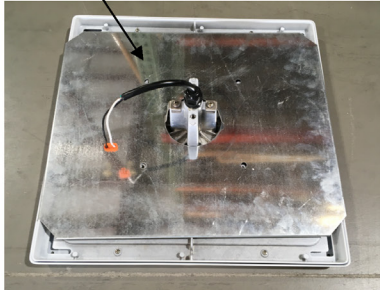
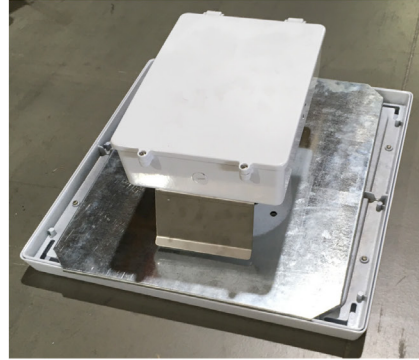


Dimensions and specifications subject to change without notice.

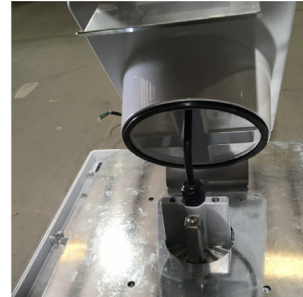
**MOUNTING INSTRUCTIONS**



**Retrofit plate can be used if needed for larger openings**



**Spring clips compress while being fed through the hole in canopy**



**From the top of the canopy the junction box is bolted to the stem**



**Spring clips hold fixture in place**

Dimensions and specifications subject to change without notice.