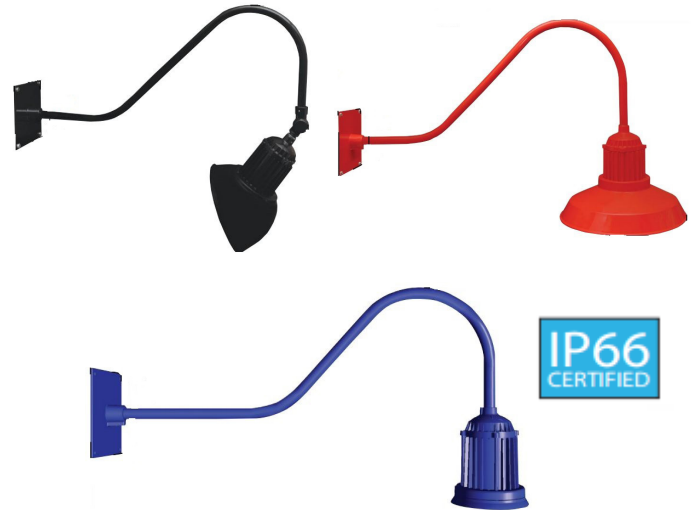


APPLICATIONS

The GNE LED luminaire is available with 5 Gooseneck arms of various designs and replaces HID lighting systems up to 175w. This fixture can withstand extreme physical and environmental abuse and is ideal for retail centers, industrial parks, schools and universities, public transit and airports, office buildings and medical facilities. Designed for architectural wall mounting up to heights of 20 feet depending on light level and uniformity requirements.

FEATURES & BENEFITS

- ◆ Light engine
- ◆ Heavy duty die cast aluminum housing w/ integral heat sinking 3/4" NPS threaded mount
- ◆ Powder coat finish over a chromate conversion coating
- ◆ Flat clear tempered glass lens
- ◆ IP66 Rated
- ◆ CSA listed for wet locations
- ◆ Min CRI 80
- ◆ 5 year warranty for -40°C - +50°C environment



ORDERING DATA*

EXAMPLE: **GNEFLED27DMVBK50 & A-GNAS30BK & A-GNSABK**

(1)

Series	Fixture to Arm Mounting ¹	Gear	Wattage & Lumens	Driver	Finish	Color Temp	Options
GNE Gooseneck Engine	F Fixed downlight S Adjustable swivel ¹ Includes 72" of wire for arm feed through to wall box	LED	27 27 Watts 2740 Lumens	DMV 120-277VAC 0-10V Dimmable	BK Black PL Platinum RD Red WH White	50 5000K	SF Single Fuse DF Double Fuse

(2)

Series	Shape	Length	Finish	Mounting
A-GNA Gooseneck Arm	CH Classic Hook	CH	BK Black	(Blank) No wall mount
	RH Round Hook	30 30"	PL Platinum	R Round wall mount
	S Straight	36 36"	RD Red	S Square wall mount
	SO Straight Offset	RH	WH White	
	SR Straight Rise	18 18"		
		24 24"		
		30 30"		
		S		
		12 12"		
		18 18"		
		24 24"		
		30 30"		
		SO		
		24 24"		
		30 30"		
	SR			
	30 30"			

* Must order 1,2 &3

(3)

Series	Shape	Finish
A-GNS Gooseneck Shade	A Angled	BK Black
	S Straight ¹	PL Patinum
		R Red
		WH White

¹Can only be used with fixed fixture to arm mounting (F)

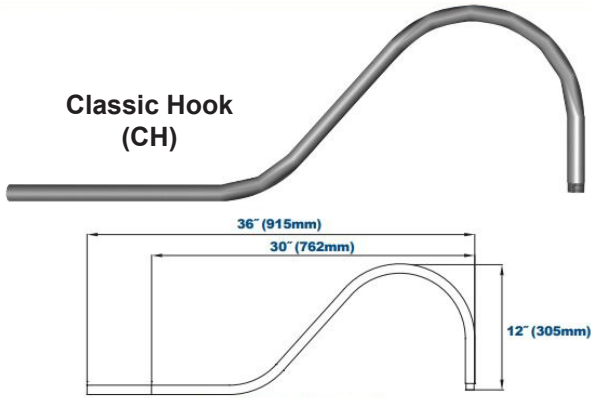
Dimensions and specifications subject to change without notice.



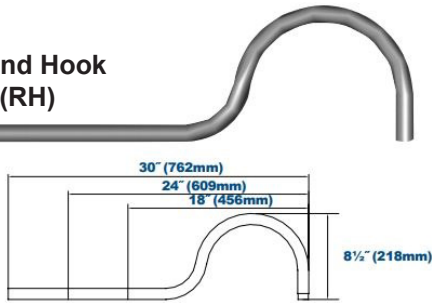
CAT#	
JOB NAME	TYPE

DIMENSIONS

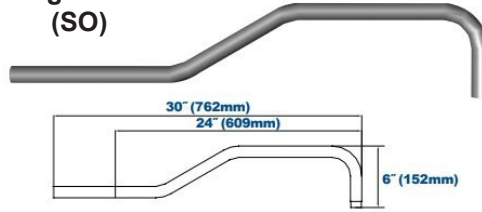
Classic Hook (CH)



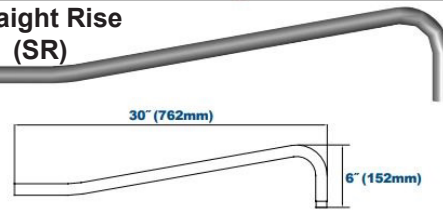
Round Hook (RH)



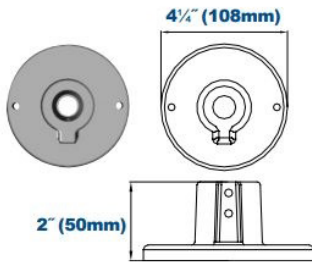
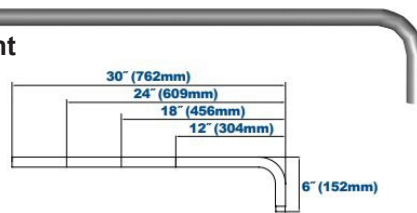
Straight Offset (SO)



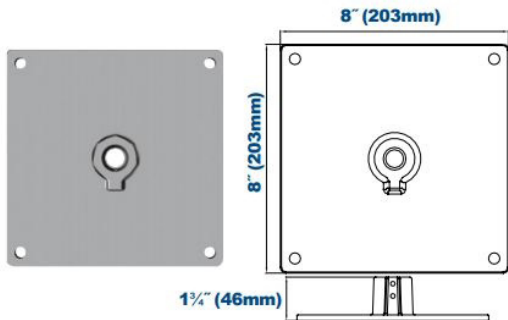
Straight Rise (SR)



Straight (S)



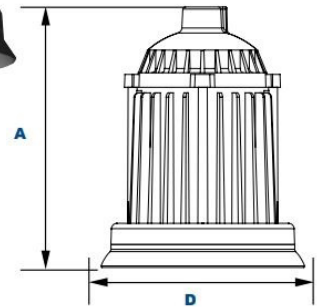
Round Wall Mount (R)



Square Wall Mount (S)



Gooseneck Engine (GNE)



Diameter (D)	7 1/4" (184mm)
Height (A)	9 1/4" (235mm)

Dimensions and specifications subject to change without notice.



PROJECTED LUMEN MAINTENANCE

DATA SHOWN FOR 5000 CCT		COMPARE TO MH				
TM-21-11	INPUT WATTS	INITIAL	25,000 HRS	50,000 HRS	100,000 HRS	Calculated L70 @ 25°C
L70 LUMEN MAINTENANCE @ 25°C/ 77°F	27	1.00	.96	.92	.84	187,000
TM-21-11	INPUT WATTS	INITIAL	25,000 HRS	50,000 HRS	100,000 HRS	Calculated L70 @ 50°C
L70 LUMEN MAINTENANCE @ 50°C/ 77°F	27	1.00	.93	.86	.72	107,000
TM-21-11	INPUT WATTS	INITIAL	25,000 HRS	50,000 HRS	100,000 HRS	Calculated L70 @ 40°C
L70 LUMEN MAINTENANCE @ 40°C/ 77°F	27	1.00	.94	.88	.76	82,000

Dimensions and specifications subject to change without notice.



CAT#			
JOB NAME		TYPE	