

APPLICATIONS

The new LED Outdoor Wet Location fixture provides maintenance-free and bug free illumination for residential or commercial applications such as breezeways, entranceways and covered living areas. Engineered for durability and versatility in ceiling/canopy or wall/wall pack types of applications. Simple, sleek design provides a complimentary style and the die-cast backplate and rugged acrylic lens make it the ideal solution in many applications. Low profile LED fixtures are available in black or white.

Features & Benefits

CONSTRUCTION

Durable cast-aluminum backplate is powder coat finished that provides superior resistance to corrosion and weathering, holds a thick and equally durable acrylic lens. Engineer casting makes it bug-proof if you caulk the mounting holes. Gasket supplied for back plate.

OPTICS

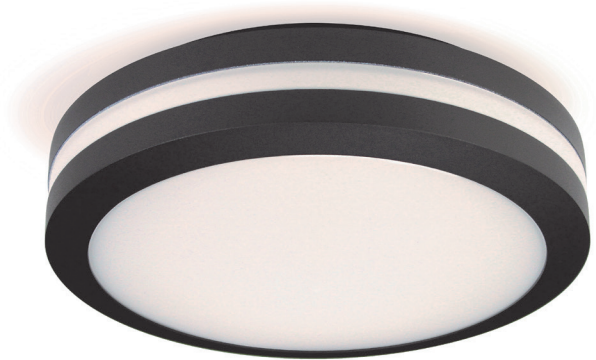
High-performance LEDs produce up to 1200 Lumens available in 2 color temperatures. White acrylic diffuser provides a comfortable, glare free white light in either 3000K or 4000K color. Fixture life is five (5) years or 50,000 hours.

ELECTRICAL

Fixture operates at 120 volts, 60 Hz.
Standard input = 18 watts.
Operating temperature -30°C to 40°C.

INSTALLATION

Mounts easily to existing junction box (by others).

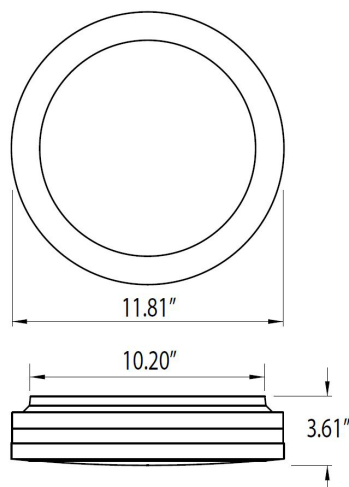


ORDERING DATA

EXAMPLE: GLO12-LED15TD120WH40

GLO		LED		Driver		Finish		Color Temp	
Series	Size	Gear	Wattage/Lumens	Driver	Finish	Color Temp	Color Temp	Color Temp	Color Temp
GLO Outdoor General Wet Location Ceiling & Wall	12 12in	LED	15 18 Watts 1200 Lumens	TD120 120V Triac Dimmable	BK Black WH White	30 3000K 40 4000K			

Dimensions



Dimensions and specifications subject to change without notice.



◆ 800-444-WATT ◆ www.mobern.com ◆
8200 Stayton Dr., Ste. 500, Jessup, MD 20794

CAT#

JOB NAME

TYPE