

APPLICATIONS

Allows standard troffers, recessed indirect/direct, or parabolics to be mounted in plaster or wood ceilings.

FEATURES & BENEFITS

SIZE W x L in inches (mm)

- ◆ 1 x 2 - Ceiling opening is 12.50" x 24.50"
- ◆ 1 x 4 - Ceiling opening is 12.50" x 48.50"
- ◆ 2 x 2 - Ceiling opening is 24.50" x 24.50"
- ◆ 2 x 4 - Ceiling opening is 24.50" x 48.50"



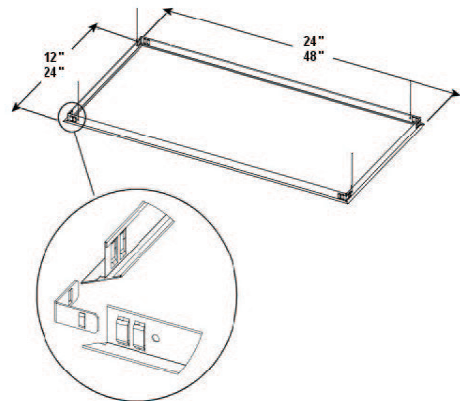
COUNSTRUCTION

- ◆ Die-formed and embossed code 22 gauge steel. No tools required.

MOUNTING

- ◆ Recessed inverted T-Bar ceilings. Grid mount.

Model	Description
M1772A	1x2 Plaster Recessed Kit - Ceiling Opening 12.50" x 24.50"
M596A	1x4 Plaster Recessed Kit - Ceiling Opening: 12.50" x 48.50"
M565A	2x2 Plaster Recessed Kit - Ceiling Opening: 24.50" x 24.50"
M566A	2x4 Plaster Recessed Kit - Ceiling Opening: 24.50" x 48.50"



Dimensions and specifications subject to change without notice.



CAT#	
JOB NAME	
TYPE	

INSTRUCTIONS

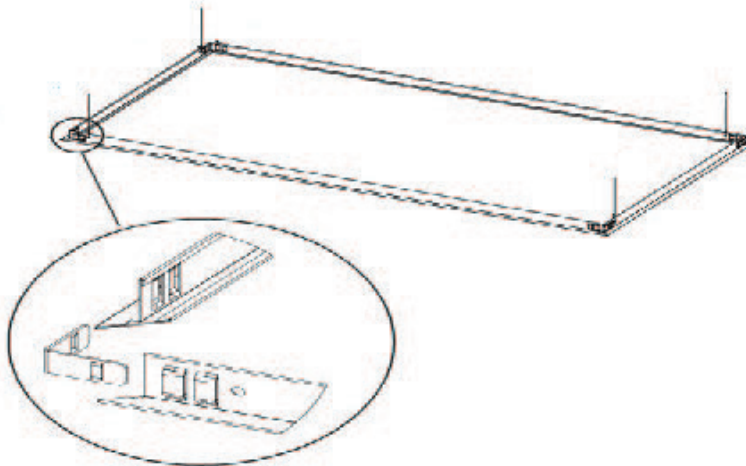
Flange Kit Recessed Fluorescent

All dimensions are inches. Specifications subject to change without notice.

1. Slide (Snap-Lock) Corner angles into side and end/Intermediate Rails as shown.
2. Place assembled frame into ceiling opening and wire support (at four corners as shown) from main floor/ceiling structure.

WARNING: ELECTRICAL SHOCK POTENTIAL!! Do not attempt to install, maintain or relamp without dis-connecting all power. Failure to disconnect power can result in electrocution, shock, or severe burns.

Mobern's Flange Kits are designed to be used with any grid type recessed luminaire in ceiling requiring flanges. May be nailed to framing for purpose of trimming out the ceiling opening not to be used for support of luminaire. If this method of installing the Mobern Flange Kit is used luminaire must be supported by #12 ga. mild steel wire by others.



Dimensions and specifications subject to change without notice.

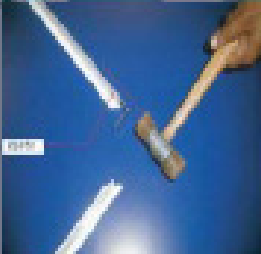


T-Frame conversion kit provides flanges for all typical recessed fluorescent fixtures. This allows for fixtures to be installed in ceilings where grids are not used (i.e. Dry wall or flush Gypsum ceilings). Can be used with any grid size recessed fluorescent fixture.




Ceiling Openings	Mobern P/N
1' X 2' - 12 1/2" X 24 1/2"	M1772A
1' X 4' - 12 1/2" X 48 1/2"	M596A
2' X 2' - 24 1/2" X 24 1/2"	M565A
2' X 4' - 24 1/2" X 48 1/2"	M566A

STEP 1:



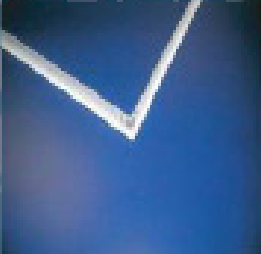
Insert lock angle into slot on T-frame Support Rail. Tap lock angle into slot until tab locks into place. Refer to picture. (Left)

STEP 2:



Insert lock angle into slot on another T-frame Support Rail so they are perpendicular as shown in picture. Tap lock angle into slot until tab locks into place.

STEP 3:




Repeat 1 & 2 for other 3 corners

STEP 4:



Insert assembled T-frame kit into ceiling cavity.

STEP 5:




Suspend frame from four points using the holes provided on the supports.

STEP 6:



Wire and insert fixture into ceiling and maneuver into place just as in a grid ceiling.

STEP 7:



Installation complete.

Dimensions and specifications subject to change without notice.



CAT#	
JOB NAME	
TYPE	