

APPLICATIONS

Modern technology and design produced the T5 and T8 highbay which is excellent for areas requiring high levels of illumination. This energy efficient substitute for HID is ideal for retail, warehouse, commercial and manufacturing areas.

FEATURES & BENEFITS

- ◆ Up to 50% energy savings compared to equivalent metal halide luminaire
- ◆ Improved light output and greater color rendition than HID
- ◆ Shallow dimensions allow for fixture mounting close to the ceiling minimizing damage and offering the best space utilization
- ◆ With optional clear acrylic lens, wireguard and doorframe, this fixture can be used in high abuse applications such as gymnasiums
- ◆ Available in 48 inches - (4' length)
- ◆ Can be stem or chain mounted
- ◆ Standard MIRO 4 reflector provides 94% reflectivity
- ◆ Optional contour wire guard
- ◆ T5 or T8 ballast
- ◆ T5 HO ballast rated for -29°C to 90°C operation (case temperature)
- ◆ Available with frame options
- ◆ Optional white reflector
- ◆ Instant re-strike capability
- ◆ Greater than 80% efficient
- ◆ Every fixture individually tested
- ◆ **UL** listed for damp location



SPECIFICATIONS

Housing is standard 22 gauge die-formed cold rolled steel with baked white enamel finish. Ends are die-formed steel. Reflector is specular anodized MIRO 4 aluminum. Fixtures can be stem or chain mounted. This fixture is not designed to be surface mounted to the ceiling or wall. Listed by and bears **UL** label.

ORDERING DATA

EXAMPLE: FHB 4 654 MV

FHB		# of Lamps	Lamp Type	Ballast Type	Options
Series FHB		2 2 Lamp 4 4 Lamp 6 6 Lamp 8 8 Lamp	32 48" T8 54 46" T5HO	MV Multivolt 120-277VAC DMV 0-10V Dimmable Triac Dimmable Multivolt R120 Residential 120V PMV Program Multivolt	B1 T8/T5 1L 500 Lumens Battery Backup (B11) B2 T8/T5 1L/2L 700 Lumens Battery Backup (B48) B3 T8/T5 1L/2L 1400 Lumens Battery Backup (B223) B51 T5HO 1L 500 Lumen Battery Backup (B625) B52 T5HO 1L 800 Lumens Battery Backup (B585) B53 T5HO 1L 1300 Lumens Battery Backup (B626) OS Occupancy Sensor L835 Lamps Installed 835K L841 Lamps Installed 841K L850 Lamps Installed 850K RIF Radio Interference Filter
Frame Options			Reflector Type Blank Silver W White (4L, 6L & 8L only)	Lens Options CL100 Clear .100 (4L 32W) CL125 Clear .100 (4L 54W) (6L 32W) (6L 54W)	*Please use part# () to order battery separately **See chart below for whip & cord ordering options
Blank No Frame 1 Frame and lens 3 Frame and flat wire guard 4 Frame, len and flat wire guard					

****Cord & Whip Ordering Chart (Add to End of Fixture Part Number)**

Part No.	# of Wires	Length	End Fitting	Finish	Voltage	Amps (TL Only)
WP - Whip CS - Cordset	(Blank) 3 Wire 4 - 4 Wire 5 - 5 Wire 6 - 6 Wire	(Blank) 6 feet 8 - 8 feet 10 - 10 feet 12 - 12 feet 15 - 15 feet	(Blank) No Plug P* - Standard Plug TL* - Twist Lock	BK - Black WH - White	(Blank) 120-277V 120 - 120V 277 - 277V 347 - 347V 480 - 480V	15 - 15 Amps 20 - 20 Amps

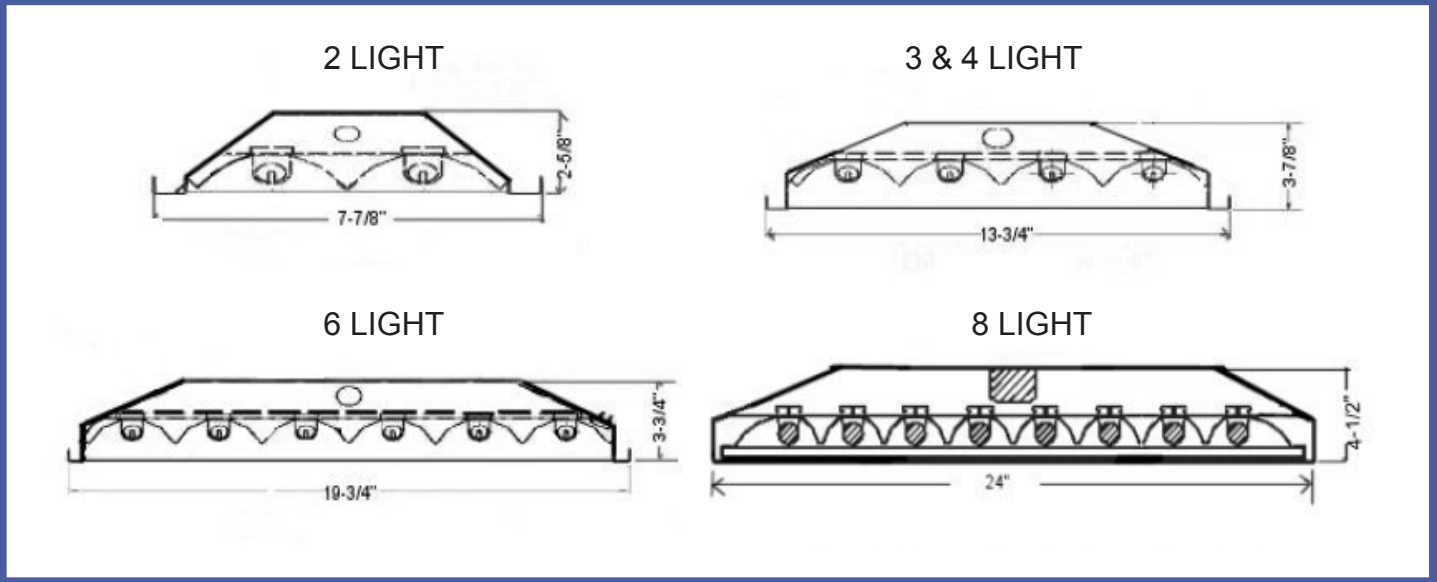
Dimensions and specifications subject to change without notice.

BALLAST OPTIONS

Brands		Performance Levels			
Code No.	Description	Ballast			
A	Advance	Manufacturer	Standard - Leave blank if no preference	High Efficiency Instant Start	High Efficiency Program Start
G	GE Ballast	Advance (A)	Centium ICN (A)	Optanium (AL, AN, AH)	Optanium PS (APL, APN ???)
L	Lutron	GE (G)	Proline GE (G)	UltraMax (GL, GN, GH)	UltraStart (GPL, GPH, GPH)
S	Sylvania Ballast	Osram/Sylvania (S)	Quicktronic Pro (S)	Quicktronic QHE (SL, SN, SH)	ProStart (SPL, SPN, SPH)
U	Universal	Universal (U)	ULT STD Electronic (U)	HP Electronic (UL, UN, UH)	AccuStart (UPI, UPN, UPH)

DIMENSIONS

END VIEWS



Nominal Weight for FHB4 4L T8 - 22.2 lbs.
FHB4 6L T8 - 23.4 lbs

Dimensions and specifications subject to change without notice.



CAT#			
JOB NAME		TYPE	