

APPLICATIONS

Stylish ceiling luminaire in either satin nickel or bronze is available in multiple sizes to meet a variety of applications. Matching wall, bath and linear versions make this series ideal for multi-family or hospitality applications.

FEATURES & BENEFITS

- ◆ Housing: Die-form Cold-rolled Steel
- ◆ Finish: Satin Nickel, Available on White and Oil Ribbed Bronze
- ◆ Shade: White Acrylic
- ◆ ETL_{us} listed

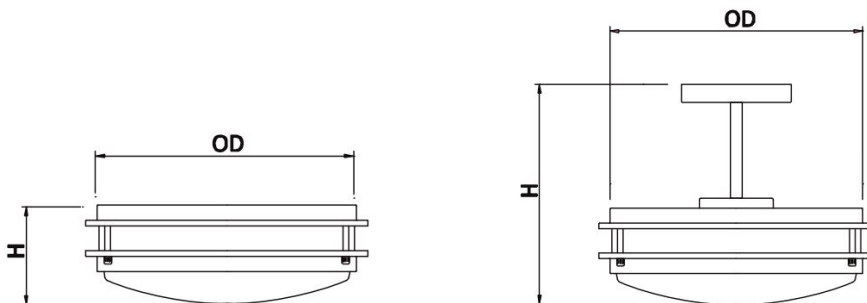


ORDERING DATA

EXAMPLE: DECCDA15LED24MVSN30

DECCDA						
Series	Mounting	Size/Gear/Wattage		Driver	Finish	Color Temp
DECCDA Decorative LED Spill Ring	S Surface Mount	15-LED24	14.8" LED 24 Watts 2100 Lumens	MV 120-277 VAC	SN Satin Nickel	30 3000K
	P Pendant Mount	18-LED35	17.8" LED 35 Watts 2900 Lumens		OB Oil Rubbed Bronze	41 4100K
					PB Polished Brass	
					WH White	

DIMENSIONS



	Surface Mount	Pendant Mount
15	14.8"OD x 4.6"H	14.8"OD x 11.7"H
18	17.8"OD x 4.8"H	17.8"OD x 11.9"H

Dimensions and specifications subject to change without notice.

