

APPLICATIONS

The DCW series wall, pendant and ceiling mount luminaire is available with clear or LumaLens lenses and open door frame designed to replace HID lighting systems up to 400w MH or HPS. Typical lighting applications include retail centers, industrial parks, schools and universities, public transit and airports, office buildings and medical facilities. Mounting heights of 18 to 30 feet can be used based on light level and uniformity requirements .



FEATURES & BENEFITS

- ◆ Heavy-duty die cast aluminum housing and top frame (can be tapped for side conduit entry)
- ◆ Surface mount or use optimal quick mount bracket
- ◆ CSA listed for wet locations
- ◆ Operating temperatures: -40°C to +50°C
- ◆ 5 year warranty



ORDERING DATA

EXAMPLE: DCW12LED26DMVC40

DCW		LED		Driver		Lens		Color Temp		Options	
Series	Size	Gear	Wattage	Driver	Driver	Lens	Color Temp	Color Temp	Options	Options	
DCW	12 12"	LED	12 inch	DMV	120-277VAC	C	Clear Polycarbonate	40 4000k	SF	Single Fuse	
Linear Die	24 24"		26 26 watts		0-10V Dimmable		vandal-resistant lens	50 5000k	DF	Double Fuse	
Cast Wet	48 48"		43 43 watts	DHV	347-480VAC**	L	LumaLens opal		SP	Surge Protection	
Location			24 inch		0-10V Dimmable		Polycarbonate vandal-resistant lens		EM	Emergency Battery Backup	
Fixture			58 58 watts								
			77 77 watts		**Only available w/ 24" or 48"						
			48 inch*								
			126 126 watts								
			152 152 watts								

*Only available in 5000k

Lumen Chart (5000K)		
12" 26.4W (clear lens)	3332 Lumens	128 LPW
12" 26.4W (LumaLens)	2945 Lumens	113 LPW
12" 43.4W (clear lens)	5538 Lumens	129 LPW
12" 43.4W (LumaLens)	4948 Lumens	115 LPW
24" 57.8W (clear lens)	7309 Lumens	126 LPW
24" 57.8W (LumaLens)	5932 Lumens	102 LPW
24" 77.3W (clear lens)	10294 Lumens	134 LPW
24" 77.3W (LumaLens)	8356 Lumens	109 LPW
48" 126W (clear lens)	16287 Lumens	129 LPW
48" 126W (LumaLens)	13720 Lumens	109 LPW
48" 152W (clear lens)	19773 Lumens	130 LPW
48" 152W (LumaLens)	16594 Lumens	109 LPW

Dimensions and specifications subject to change without notice.



◆ 800-444-WATT ◆ www.mobern.com ◆

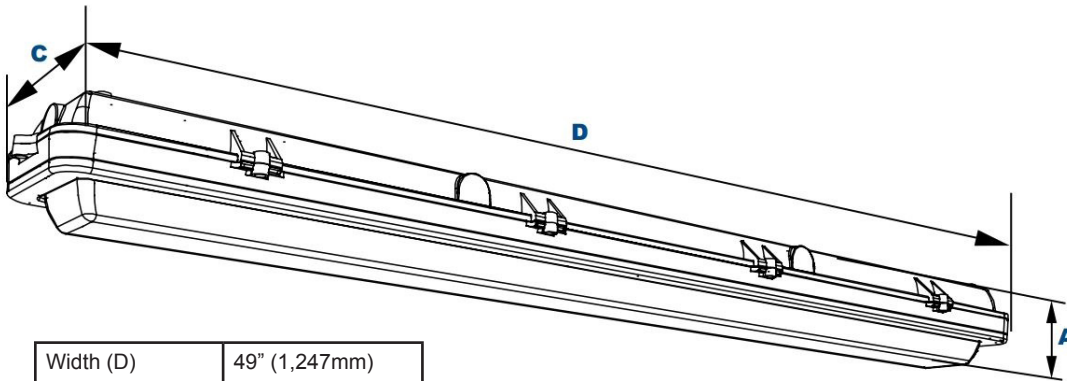
8200 Stayton Drive, Ste. 500. Jessup, MD 20794

CAT#

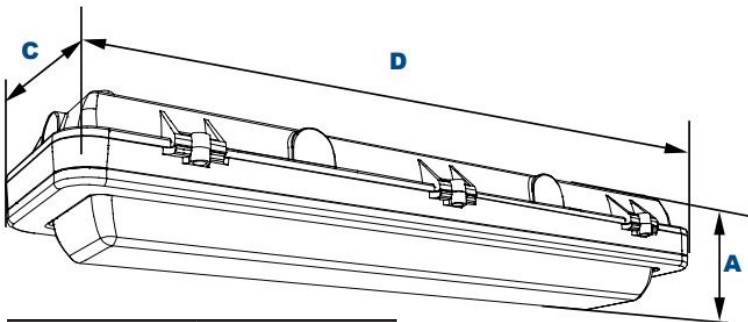
JOB NAME

TYPE

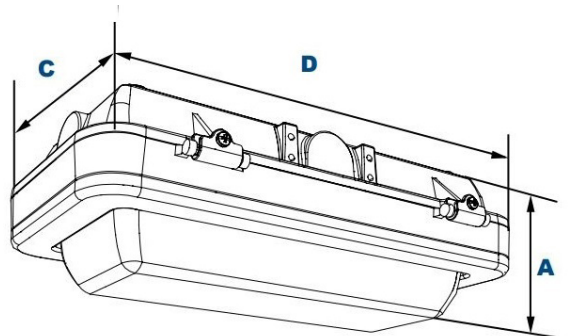
DIMENSIONS



Width (D)	49" (1,247mm)
Length (C)	7" (178mm)
Height (A)	4" (102mm)



Width (D)	24 1/8" (614mm)
Length (C)	7" (178mm)
Height (A)	4" (102mm)



Width (D)	12 1/8" (1,247mm)
Length (C)	7" (178mm)
Height (A)	4" (102mm)

Dimensions and specifications subject to change without notice.



CAT#			
JOB NAME		TYPE	