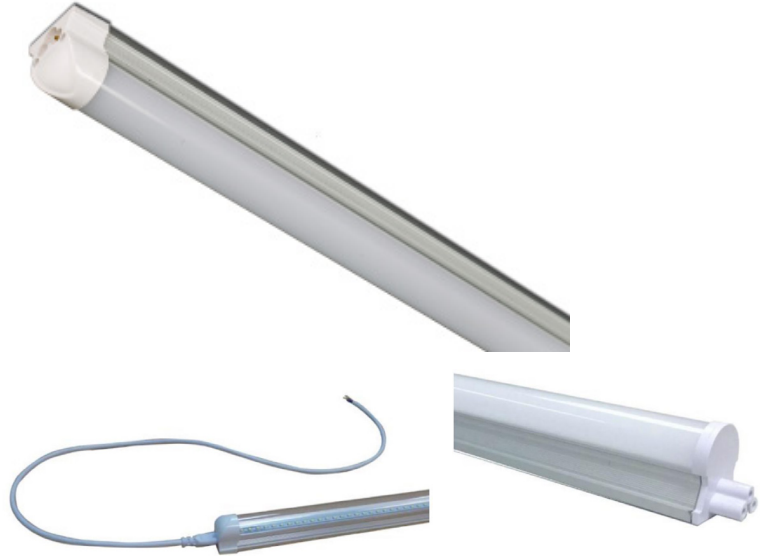


APPLICATIONS

The CRCS-LED contains an internal driver, and is used for general illumination for homes, offices, restaurants, hotels, malls, buses, trains, warehouses, parking garages, or wherever accent lighting is required.

FEATURES & BENEFITS

- ◆ Up to 70% energy savings
- ◆ No infrared rays, no ultraviolet radiation, and no thermal effect
- ◆ Instant start without flickering, humming, or RF interference
- ◆ Available with clear or frosted lens
- ◆ Heat protection system allows performance under unstable voltage
- ◆ Ambient operating temperature -20°C to 50°C
- ◆ PF > 0.99
- ◆ L₇₀ > 50000 hrs
- ◆ Min CRI 80
- ◆ 5 year warranty



ORDERING DATA

EXAMPLE: CRCS48-LED18MV40

CRCS		LED		MV		
Series	Size	Gear	Wattage/Lumens*	Driver	Lens	Color Temp
CRCS	24 24 inch 36 36 inch 48 48 inch 60 60 inch 72 72 inch 96 96 inch	LED	10 10 Watts 1250 Lumens 36 inch 10 10 Watts 1250 Lumens 48 inch 12 12 Watts 1500 Lumens 15 15 Watts 1875 Lumens 18 18 Watts 2250 Lumens 22 22 Watts 2750 Lumens 60 inch 22 22 Watts 2750 Lumens 72 inch 31 31 Watts 3875 Lumens 96 inch 31 31 Watts 3875 Lumens 40 40 Watts 5000 Lumens	MV 120-277VAC	(Blank) Frosted CL Clear	30 3000K 35 3500K 40 4000K 50 5000K

Notes:

*All fixtures are special order except those available for quick ship

Available For Quick Ship

CRCS48-LED22MV50

CRCS96-LED40MV50

Dimensions and specifications subject to change without notice.



◆ 800-444-WATT ◆ www.mobern.com ◆
8200 Stayton Dr., Ste. 500, Jessup, MD 20794

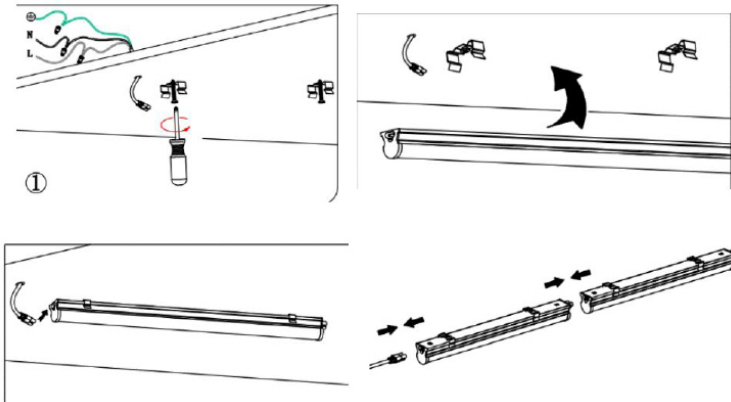
CAT#

JOB NAME

TYPE

INSTALLATION INSTRUCTIONS

1. Turn OFF power to the fixture at the breaker panel before installation.
2. Fix power wire and clips to the ceiling or wall.
3. Snap fixture into clips. Ensure they are secured in place.
4. Connect tubes male end into female end.
5. One power connector can connect 20pcs or less for 22W and wattages under
6. One power connector can connect 10pcs or less for 22W + and wattages over
7. Once all tubes are connected, connect power cord to single tube



Dimensions and specifications subject to change without notice.



◆ 800-444-WATT ◆ www.mobern.com ◆
8200 Stayton Dr., Ste. 500, Jessup, MD 20794

CAT#			
JOB NAME		TYPE	